



# PRO9233Z

## Security Upgrade

## Installation and Reference Guide

Thank you for trusting Pursuit products! **If you are a consumer, please note: Professional installation is strongly recommended.**

This manual assumes the installer has adequate knowledge of the following expertise. Therefore, it does not cover these topics in detail:

- **12-volt electronics**
- **Testing and verifying circuits**
- **Making safe and lasting wiring connections**
- **Factory ignition, power, lighting, data bus and sensing systems**
- **Factory systems and components to avoid**
- **Safe wire routing, circuit protection and product placement**
- **Access to vehicle-specific technical information**

In addition, this manual assumes the installer has the **proper tools, skill and facilities** to perform a professional installation. **Performing an improper installation could result in damage to the vehicle or its components, improper system function, unsafe vehicle operation or physical injury.** Such instances would not be covered by the vehicle manufacturer's warranty, nor by Voxx Electronics, Inc.

### Detailed Descriptions

#### 2 Wire Harness Colors and Functions

- 2 [Input / Output Connector](#)
- 4 [Control Connector](#)
- 5 [Door Lock Connector](#)

#### 6 External Components

- 6 [Shock Sensor](#)
- 6 [Valet / LED](#)
- 6 [Data Bus Interface \(DBI\)](#)
- 6 [Telematics](#)

#### 7 Setup Options

- 7 [Security Control](#)

### Quick Reference

#### 11 System Programming

- 11 [Programming Mode Entry / Exit](#)
- 12 [Feature Bank Options](#)
- 12 [Data Port Protocol Selection](#)
- 12 [Dome Light Delay](#)
- 13 [Silent Arm and Disarm](#)
- 13 [User Selectable LED](#)

#### 13 System Diagnostics

- 13 [Troubleshooting Trigger Zones](#)
- 13 [Adjusting Shock Sensor](#)
- 14 [Alarm Override Procedures](#)

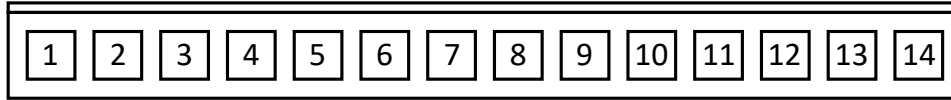
#### 15 Wiring Diagrams

- 15 [Door Lock Connections](#)
- 18 [Starter Kill Relay](#)
- 19 [Full System Connections](#)

# Detailed Descriptions: Wire Harness Colors and Functions

## Input / Output Connector (14-pin connector) [See page 19 for the full system diagram.](#)

These wires are listed in order of their placement in the harness connector.



### 1. WHITE/RED – Parking Light Relay Input (Internal Relay Pin 87)

The WHITE/RED connects to vehicle 12-Volt (+) or Ground (-) to supply the relay output (WHITE wire).

*Verification for default setting:*

- If the vehicle parking light wire registers 12-Volt (+) when the parking lights are on, connect the WHITE/RED wire to a constant 12-Volt (+) vehicle wire.
- If the vehicle parking light wire registers Ground (-) when the parking lights are on, connect the WHITE/RED wire to a reliable vehicle ground source.

### 2. WHITE – Parking Light Relay Output (Internal Relay Pin 30)

At its default setting, the WHITE wire supplies 12-Volt (+) or Ground (-) to the vehicle's parking light wire based on the connection of the relay input (WHITE/RED wire).

*Verification:* The vehicle parking light wire registers 12-Volt (+) or Ground (-) when the parking lights are turned on.

### 3. RED – 12-Volt Input (+)

The RED wire connects to the vehicle's primary 12-Volt (+) wire to power the system.

*Verification:* The power wire registers 12-Volt (+) at all times.

**Note:** Before making this connection, remove all module fuses until the system is completely connected.

### 4. WHITE/BLACK – Siren Output (+)

The WHITE/BLACK wire supplies 12-Volt (+) to power the siren. After mounting the siren, connect the BLACK wire to a reliable ground source, and connect the WHITE/BLACK wire to the siren's RED wire.

### 5. PURPLE – Door Trigger Input (+)

The PURPLE wire connects to the vehicle's door trigger wire. This wire will detect a 12-Volt (+) input.

*Verification:* The vehicle door trigger wire registers 12-Volt (+) when a door is opened and opposite when closed.

**Note:** If the door trigger registers as Ground (-) when a door is opened, use the BROWN, Pin 8, input.

### 6. YELLOW – Ignition Input (+)

The YELLOW wire connects to the vehicle's primary ignition wire. This wire will be used for system programming and override.

*Verification:* This ignition wire registers 12-Volt (+) when the key is in the accessory, ignition, and start positions.

**Note:** Before making this connection, remove all module fuses until the system is completely connected.

### 7. GREEN/WHITE – Dome Light Output (-)

The GREEN/WHITE wire supplies Ground (-) when Unlock is activated from the Remote Control. This output will automatically turn off after 30 seconds.

# Detailed Descriptions: Wire Harness Colors and Functions

## Input / Output Connector (14-pin connector) (Cont.) [See page 19 for the full system diagram.](#)

These wires are listed in order of their placement in the harness connector.

### 8. BLACK/WHITE – Horn Output (-)

The BLACK/WHITE wire connects to the vehicle's horn wire and supplies Ground (-) when activated from the system.

*Verification:* The vehicle horn wire registers Ground (-) when the horn is activated.

### 9. BLACK – Ground Input (-)

The BLACK wire connects to a reliable vehicle ground (-) source to power the system.

*Verification:* The vehicle ground (-) source wire registers ground (-) at all times.

**Note:** Before making this connection, remove all module fuses until the system is completely connected.

### 10. ORANGE – Starter Kill Output (-)

The ORANGE wire supplies Ground (-) when the alarm is armed and when the remote start is ON.

### 11. BROWN – Door Trigger Input (-)

The BROWN wire connects to the vehicle's door trigger wire. This wire will detect Ground (-) input.

*Verification:* The vehicle door trigger wire registers Ground (-) when a door is opened and opposite when closed.

**Note:** If the door registers as 12-Volt (+) when the door is opened, use the PURPLE (Pin 5) input.

### 12. LIGHT GREEN – Trunk Trigger Input (-)

The LIGHT GREEN wire connects a trunk switch that, when triggered, supplies a Ground (-) output. If the system is armed, this input will trigger the alarm.

### 13. GRAY/BLACK – Hood Trigger Input (-)

The GRAY/BLACK wire connects a hood switch that, when triggered, supplies a Ground (-) output. If the system is armed, this input will trigger the alarm.

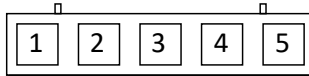
### 14. GREEN/LIGHT BLUE – Ch. 4 Aux. Output (-)

The GREEN/LIGHT BLUE wire supplies Ground (-) when activated from the remote control.

# Detailed Descriptions: Wire Harness Colors and Functions

## Control Connector (5-pin connector) (Cont.) [See page 19 for the full system diagram.](#)

These wires are listed in order of their placement in the harness connector.



### 1. GREEN/BLACK – Arm 2 Input (-/+)

The GREEN/BLACK wire connects to the vehicle's door lock trim switch wire. This wire will prevent the alarm from arming when the Lock function is performed from the vehicle's door lock trim switch.

*Verification:* The vehicle's door lock trim switch wire will test Positive (+) or Ground (-) when the Lock function is pressed on the door lock trim switch.

Note: This input is programmable. [Refer to Bank 2, Feature 16 on page 7.](#)

### 2. RED/YELLOW – Disarm 1 Input (-/+)

The RED/YELLOW wire connects to the vehicle's Positive (+) Unlock Motor wire. This wire will disarm the alarm when a Positive (+) pulse is detected.

*Verification:* The vehicle's door unlock motor wire will test Positive (+) when the unlock function is pressed on the factory keyless entry remote.

Note: This input is programmable. [Refer to Bank 2, Feature 15 on page 7.](#)

### 3. GREEN/YELLOW – Arm 1 Input (-/+)

The GREEN/YELLOW wire connects to the vehicle's Positive (+) Lock Motor wire. This wire will ARM the alarm when a Positive (+) pulse is detected.

*Verification:* The vehicle's door lock motor wire will test Positive (+) when the Lock function is pressed on the factory keyless entry remote or from the door lock trim switch.

Note: This input is programmable. [Refer to Bank 2, Feature 14 on page 7.](#)

### 4. RED/BLACK – Disarm 2 Input (-/+)

The RED/BLACK wire connects to the vehicle's unlock trim switch wire. This wire will prevent the alarm from disarming when the unlock function is performed from the vehicle's door lock trim switch.

*Verification:* The vehicle's door unlock trim switch wire will test Positive (+) or Ground (-) when the unlock function is pressed on the door lock trim switch.

Note: This input is programmable. [Refer to Bank 2, Feature 17 on page 7.](#)

### 5. BLUE – Trunk Shunt Input (-/+)

The BLUE wire connects to the vehicle's trunk release motor wire. This wire will disable the alarm's DARK GREEN trunk trigger input and shock sensor when a pulse is detected.

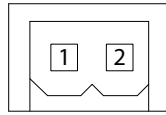
*Verification:* The vehicle's trunk release motor wire will test Positive or Ground (-) when the trunk release function is performed on the vehicle's factory Keyless entry remote.

Note: This input is programmable. [Refer to Bank 2, Feature 18 on page 7.](#)

# Detailed Descriptions: Wire Harness Colors and Functions

## Door Lock Connector (2-pin connector) [See page 19 for the full system diagram.](#)

These wires are listed in order of their placement in the harness connector.



### 1. RED – Door Lock (-)

The RED wire supplies Ground (-) when the Lock function is activated from the remote control or system.

*Verification:* The vehicle lock wire registers 12-Volts (+) or Ground (-) when the Lock button is activated.

**Note:** Additional parts may be required. See Page 11 for common door lock wire diagrams.

### 2. GREEN – Door Unlock (-)

The GREEN wire supplies Ground (-) when the Unlock function is activated from the remote control or system.

*Verification:* The vehicle lock wire registers 12-Volt (+) or Ground (-) when the Unlock button is activated.

**Note:** Additional parts may be required. [See Page 15 for common door lock wire diagrams.](#)

# Detailed Descriptions: External Components

## Shock Sensor

The shock sensor plugs into a 4-pin connector on the Pursuit module. It should be securely attached to a vehicle surface or sturdy wire harness. Testing takes place after all connections are made and the system is powered up. **Refer to Quick Reference: System Diagnostics on page 13** for instructions on testing and adjusting the shock sensor.

## LED / Valet Programming Port

The LED / Valet Programming port is used to for feature programming and Valet Override.

1. Find a suitable location to mount the supplied LED / Valet Programming button. Locate a clear spot on the vehicle's dashboard that will be seen from the outside of the vehicle.
2. Drill a 5/16 inch hole and mount the LED / Valet button. Route the wires to module and plug into proper location.

## Data Bus Interface (DBI) Port

The 4-pin Data Bus Interface enables a FlashLogic door lock or transponder interface to connect to and communicate with the vehicle data bus. The combined system saves installation time as many features that normally require individual connection can be accessed and controlled through the data bus. Please refer to the D2D (Data to Data) function list available per vehicle at [www.FlashLogic.com](http://www.FlashLogic.com).

## Telematics Interface / Weblink Programming Port

The 4-pin Telematics port enables a connected interface such as CarLink to expand system control to a smartphone or tablet. The following features may be able to be activated from a connected device:

- Door Lock Control
- Remote Start
- Trunk Release
- Auxiliary Output
- Sliding Doors

### Weblink Programming

This port can also be used to connect your FlashLogic Weblink for feature programming and software updating. Once connected please visit [www.flashlogic.com](http://www.flashlogic.com).

# Detailed Descriptions: Setup Options

## Security Control (Bank 2) [See page 11 for Programming Instruction.](#)

Feature Bank 2		Options						
		1 Chirp	2 Chirp	3 Chirp	4 Chirp	5 Chirp	6 Chirp	
Features	1	Lock / Unlock Function	<b>500ms</b>	3.5sec	500ms L, DBL UL	DBL L, 500ms UL	DBL L, DBL UL	500ms L, 350ms UL
	2	Ignition Lock	<b>OFF</b>	ON				
	3	Ignition Unlock	<b>OFF</b>	ON				
	4	Auto Relock	<b>OFF</b>	Auto Lock Only	Auto Lock & Arm			
	5	Auto Arming / Locking	<b>OFF</b>	Auto Arm Only	Auto Lock & Arm			
	6	Door Trigger	<b>Instant</b>	Delay				
	7	1 or 2 Wire Disarm	<b>2 Wire</b>	1 Wire				
	8	Notification Sound	<b>Both</b>	Siren Only	Horn Only			
	9	Horn Timing	<b>16ms</b>	30ms	40ms	50ms	10ms	
	10	Valet Override Method	<b>Valet</b>	Custom Code				
	11	Security Profile	<b>All On</b>	Doors Off	Hood/trunk Off	All Off	All ON w/ OEM RS	
	12	Data Port Protocol	<b>ADS</b>	DBI				
	13	Disarm Input	<b>120ms Dr OR Pass</b>	80ms Dr OR Pass	120ms, UL & Light	80ms, UL & Light		
	14	Arm 1 Input	<b>Auto Detect</b>	Positive	Negative			
	15	Disarm 2 Input	<b>Auto Detect</b>	Positive	Negative			
	16	Arm 2 Input	<b>Auto Detect</b>	Positive	Negative			
	17	Disarm 2 Input	<b>Auto Detect</b>	Positive	Negative			
	18	Trunk Shunt Input	<b>Auto Detect</b>	Positive	Negative			
	19	Dome Light Delay Timer	<b>OFF / Program</b>	15sec	30sec	45sec	60sec	120sec
	20	Alarm Trigger Length	<b>30sec</b>	45sec	60sec	90sec	120sec	

### Feature 1: Lock / Unlock Function

Function: **Set the lock / unlock output timing and functionality for specific vehicle lock types.**

Setting Choices:

- **Option 1** - Lock and Unlock outputs will pulse for **500 milliseconds**.
- **Option 2** - Lock and Unlock outputs will pulse for **3.5 seconds**.
- **Option 3** - Lock output will pulse for **500ms**; **Unlock** output will pulse twice, **500ms each**.
- **Option 4** - Lock output will **pulse twice, 500ms each**; **Unlock** output will pulse for **500ms**.
- **Option 5** - Lock and Unlock outputs will **pulse twice for 500ms**.
- **Option 6** - Lock output will pulse for **500ms**; **Unlock** output will pulse for **350ms**.

### Feature 2: Ignition-Activated Lock

Function: **Set the door locks to lock when brake is pressed after the ignition is turned ON.**

Setting Choices:

- **Option 1** - Doors do not lock with ignition.
- **Option 2** - Doors Lock when brake is pressed after ignition on.

### Feature 3: Ignition-Activated Unlock

Function: **Set the door locks to unlock when the ignition is turned off with the key.**

Setting Choices:

- **Option 1** - Doors do not unlock with ignition off.
- **Option 2** - All Doors Unlock with ignition off.

### Feature 4: Auto ReLock Setting

Function: **Set the doors to re-lock if the system has been accidentally disarmed.**

Setting Choices:

- **Option 1** - Auto ReLock is **disabled**.
- **Option 2** - If the system has been disarmed but no doors have been opened in 3 minutes, the system will **relock the doors but not re-arm** the alarm.
- **Option 3** - If the system has been disarmed but no doors have been opened in 3 minutes, the system will **relock the doors and re-arm** the alarm.

**Note:** This feature is not associated with the auto locking / arming feature.

# Detailed Descriptions: Setup Options

## Security Control (Bank 2) (cont.) [See page 11 for Programming Instruction.](#)

### Feature 5: Automatic Arming

Function: **Set the system to arm automatically after exiting the vehicle.**

Setting Choices:

- **Option 1** - System will arm and doors will lock **only when the alarm is armed from the remote control.**
- **Option 2** - System will arm **automatically 1 minute after the last door is closed**, and when the alarm is armed from the remote control.
- **Option 3** - System will **Arm and Lock doors automatically 1 minute after the last door is closed**, and when the alarm is armed from the remote control.

### Feature 6: Door Trigger Delay

Function: **Set the system to delay the door trigger activation input for five (5) seconds**

Setting Choices:

- **Option 1** - Instant - System will **trigger instantly** after the door input is detected.
- **Option 2** - Delay - System will **delay alarm trigger for five (5) seconds** after door trigger input is detected.

### Feature 7: 1 or 2 Wire Disarm

Function: **Set the disarm input detection**

Setting Choices:

- **Option 1** - 2 Wire Detection, Will monitor Disarm input 1 and 2 for disarm pulse.
- **Option 2** - 1 Wire Disarm, Will monitor Disarm input 1 Only for pulse.

### Feature 8: Notification Sounds

Function: **Set the siren and/or horn to notify when the system is armed or disarmed. (Siren Optional)**

Setting Choices:

- **Option 1** - **Siren and horn** will emit audible chirps when the system is armed and disarmed.
- **Option 2** - **Siren** will emit audible chirps when the system is armed and disarmed.
- **Option 3** - **Horn** will emit audible chirps when the system is armed and disarmed.

Note: Siren and horn will both sound if the system is triggered, regardless of this setting.

### Feature 9: Horn Output Duration

Function: **Set the horn output to activate for a set time.**

Setting Choices:

- **Option 1** - Output pulses for **16 milliseconds.**
- **Option 2** - Output pulses for **30 milliseconds.**
- **Option 3** - Output pulses for **40 milliseconds.**
- **Option 4** - Output pulses for **50 milliseconds.**
- **Option 5** - Output pulses for **10 milliseconds.**

### Feature 10: Override Method

Function: **Set the Alarm Override Method. This will be used if the Remote is lost or inoperable.**

Setting Choices:

- **Option 1** - Alarm Override method is normal. **Ignition Key ON, press Valet button one (1) time.**
- **Option 2** - Alarm Override method is set for a **Custom Code.**



# Detailed Descriptions: Setup Options

## Security Control (Bank 2) (Cont.) [See page 11 for Programming Instruction.](#)

### Feature 11: Security Profile

Function: **Set the system to function as a keyless entry / convenience system or full-featured alarm / convenience system.**

Setting Choices:

- **Option 1** - All security, keyless entry and convenience features are **enabled**.
- **Option 2** - Door Trigger zone is **disabled**.
- **Option 3** - Hood and Trunk Trigger zones are **disabled**.
- **Option 4** - All security trigger zones are **disabled**.
- **Option 5** - All security zones are **enabled**: Doors, Hood, and Trunk will be bypassed for five (5) seconds with Ignition ON ; Shock will be bypassed anytime Ignition is ON.

### Feature 12: Data Bus (DBI) Port Protocol

Function: **Set functionality of the data bus connector to accept integration modules of differing protocols.**

Setting Choices:

- **Option 1** - The data bus connector will be configured to work with modules that use the **ADS Protocol**.
- **Option 2** - The data bus connector will be configured to work with modules that use the **DBI Protocol**.

### Feature 13: Disarm Input & Timing

Function: **Set Arm and Disarm Input and Timing**

Setting Choices:

- Option 1 - System will disarm when a pulse of **120ms is detected on Disarm 1 only**.
- Option 2 - System will disarm when a pulse of **80ms is detected on Disarm 1 only**
- Option 3 - System will Disarm when a pulse of **120ms is detected on Disarm 1 & 2**.
- Option 4 - System will disarm when a pulse of **80ms is detected on Disarm 1 & 2**.

### Feature 14: Arm 1 Input Polarity

Function: **Set the Arm 1 input polarity**

Setting Choices:

- **Option 1** - System will **Auto Detect the input polarity on power-up** .
- **Option 2** - System will **Arm when Positive (+)** Pulse is detected.
- **Option 3** - System will **Arm when Negative (-)** pulse is detected.

### Feature 15: Disarm 1 Input Polarity

Function: **Set the Disarm 1 input polarity**

Setting Choices:

- **Option 1** - System will **Auto Detect the input polarity on power-up**.
- **Option 2** - System will **Disarm when Positive (+)** Pulse is detected.
- **Option 3** - System will **Disarm when Negative (-)** pulse is detected.

# Detailed Descriptions: Setup Options

## Security Control (Bank 2) (Cont.) [See page 11 for Programming Instruction.](#)

### Feature 16: Arm 2 Input Polarity

Function: **Set the Arm 2 input polarity**

Setting Choices:

- **Option 1** - System will **Auto Detect the input polarity on power-up** .
- **Option 2** - System will **Arm when Positive (+)** Pulse is detected.
- **Option 3** - System will **Arm when Negative (-)** pulse is detected.

### Feature 17: Disarm 2 Input Polarity

Function: **Set the Disarm 2 input polarity**

Setting Choices:

- **Option 1** - System will **Auto Detect the input polarity on power-up** .
- **Option 2** - System will **Disarm when Positive (+)** Pulse is detected.
- **Option 3** - System will **Disarm when Negative (-)** pulse is detected.

### Feature 18: Trunk Shunt Input Polarity

Function: **Set the Trunk Shunt input polarity**

Setting Choices:

- **Option 1** - System will **Auto Detect the input polarity on power-up** .
- **Option 2** - System will **Bypass the Trunk and Shock input when Positive (+)** Pulse is detected.
- **Option 3** - System will **Bypass the Trunk and Shock input when Negative (-)** pulse is detected.

### Feature 19: Dome Light Delay Timer

Function: **Set the delay timer when using the vehicle's Dome Light as a door trigger.**

Setting Choices:

- **Option 1** - OFF / Delay Timer will be OFF or use the programmed time. See page ## for dome light delay programming procedure
- **Option 2 - 15 seconds**, System will wait 15 seconds before monitoring the door trigger input.
- **Option 3 - 30 seconds**, System will wait 30 seconds before monitoring the door trigger input.
- **Option 4 - 45 seconds**, System will wait 45 seconds before monitoring the door trigger input.
- **Option 5 - 60 seconds**, System will wait 60 seconds before monitoring the door trigger input.
- **Option 6 - 120 seconds**, System will wait 120 seconds before monitoring the door trigger input.

### Feature 20: Alarm Trigger Length

Function: Set the **length of time** the **Alarm Notification** will sound for each cycle.

Setting Choices:

- **Option 1 - 30 seconds**, System will Alarm Cycle will sound for 30 second.
- **Option 2 - 45 seconds**, System will Alarm Cycle will sound for 45 second.
- **Option 3 - 60 seconds**, System will Alarm Cycle will sound for 60 second.
- **Option 4 - 90 seconds**, System will Alarm Cycle will sound for 90 second.
- **Option 5 - 120 seconds**, System will Alarm Cycle will sound for 120 second.

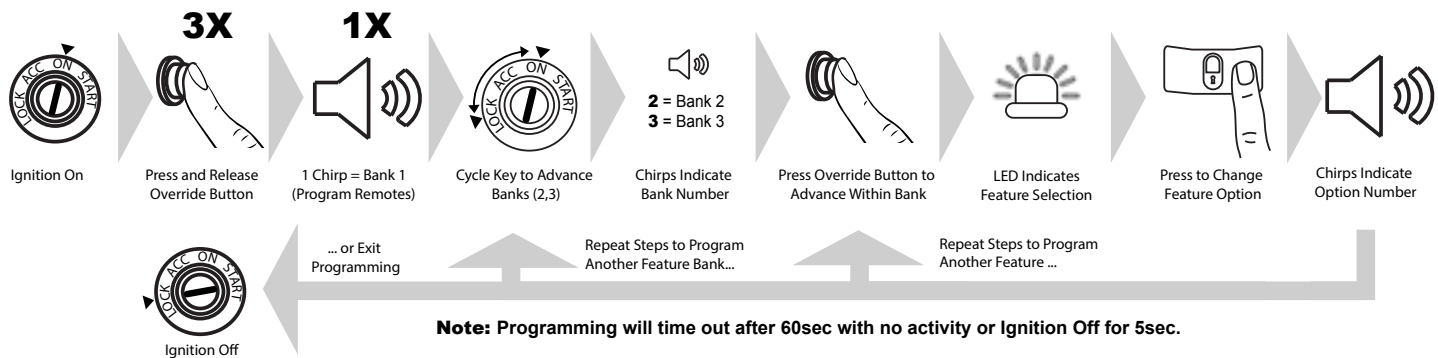
**Note:** The system will check the trigger inputs between each Alarm Cycle. If the trigger input is still active the system will notify the user with another cycle.

# Quick Reference: System Programming

## Programming Mode Entry and Exit Procedure

Once the system is installed and powered up, you will use the vehicle ignition, override button and a programmed remote control to set all system options. Feature options are divided into categories, or **Banks**, as described throughout this section. **Ensure that at least one remote control is programmed** to the system. If not, or if you need to program more remote controls, use the diagram steps to access **Bank 1**.

The horn/siren and LED will indicate your status and selections. Follow the diagram below to enter and maneuver through the programming procedure.



1. Turn the ignition ON.
2. Press and release the valet/override button three (3) times.
3. The system will chirp (1) one time, indicating you have accessed Bank 1.
4. Each cycle of the Ignition, OFF/ON, will advance to the next bank (up to Bank 3) then restart at Bank 2. (Note: To re-access Bank 1 for transmitter programming, you will need to exit and re-enter programming mode.)
5. The system will beep a number of times to indicate the Bank number:
  - 1 beeps: **Bank 1** - [NA](#)
  - 2 beeps: **Bank 2** - [Security Control Options](#)
6. Once you have accessed the desired bank, press the valet/override button to advance through the features. The LED will flash a number of times to indicate the feature, based on the charts that follow this section. The system will chirp a number of times to indicate the Option programmed.
7. Once you have accessed the desired feature, press the LOCK button on the remote control to advance through the feature's setting options. The system will chirp a number of times to indicate the Option setting, based on the charts that follow this section.
8. Once you have made the desired setting, you can press the valet/override button to advance through the features within the bank, or cycle the Ignition key OFF/ON to advance to the next bank.
9. Once you have completed programming, **you MUST turn the ignition key to OFF** to exit the programming mode. Programming will automatically exit after 60 seconds of inactivity.

# Quick Reference: System Programming & Diagnostics

## Bank 2: Security Options [See pages 7-10 for detailed descriptions.](#)

Feature Bank 2		Options					
		1 Chirp	2 Chirp	3 Chirp	4 Chirp	5 Chirp	6 Chirp
Features	1 Lock / Unlock Function	<b>500ms</b>	3.5sec	500ms L, DBL UL	DBL L, 500ms UL	DBL L, DBL UL	500ms L, 350ms UL
	2 Ignition Lock	<b>OFF</b>	ON				
	3 Ignition Unlock	<b>OFF</b>	ON				
	4 Auto Relock	<b>OFF</b>	Auto Lock Only	Auto Lock & Arm			
	5 Auto Arming / Locking	<b>OFF</b>	Auto Arm Only	Auto Lock & Arm			
	6 Door Trigger	<b>Instant</b>	Delay				
	7 1 or 2 Wire Disarm	<b>2 Wire</b>	1 Wire				
	8 Notification Sound	<b>Both</b>	Siren Only	Horn Only			
	9 Horn Timing	<b>16ms</b>	30ms	40ms	50ms	10ms	
	10 Valet Override Method	<b>Valet</b>	Custom Code				
	11 Security Profile	<b>All On</b>	Doors Off	Hood/trunk Off	All Off	All ON w/ OEM RS	
	12 Data Port Protocol	<b>ADS</b>	DBI				
	13 Disarm Input	<b>120ms Dr OR Pass</b>	80ms Dr OR Pass	120ms, UL & Light	80ms, UL & Light		
	14 Arm 1 Input	<b>Auto Detect</b>	Positive	Negative			
	15 Disarm 2 Input	<b>Auto Detect</b>	Positive	Negative			
	16 Arm 2 Input	<b>Auto Detect</b>	Positive	Negative			
	17 Disarm 2 Input	<b>Auto Detect</b>	Positive	Negative			
	18 Trunk Shunt Input	<b>Auto Detect</b>	Positive	Negative			
	19 Dome Light Delay Timer	<b>OFF / Program</b>	15sec	30sec	45sec	60sec	120sec
	20 Alarm Trigger Length	<b>30sec</b>	45sec	60sec	90sec	120sec	

## Data Port Protocol Selection

The default data port protocol of this model is ADS (iDatalink 2-Way). This model is capable of detecting the correct data port protocol (ADS or DBI) and automatically configuring Feature Bank 2; Feature 12. To initialize the detection procedure:

1. Press and hold the valet button.
2. Cycle the vehicle's Ignition ON/OFF two (2) times.
3. Release the valet button.

## Dome Light Delay

**To program the Pursuit system to wait until the dome light turns off before arming:**

1. Close all doors.
2. With the vehicle ignition off, press LOCK, UNLOCK, LOCK, UNLOCK, LOCK, UNLOCK, LOCK on the remote control. The dash-mounted LED will turn on.
2. Immediately OPEN then CLOSE the door WITHOUT disarming the system. After the dome light turns off, the LED will flash to indicate programming completion.
3. Disarm and exit the vehicle.

**To return the system to default dome light sensing:**

1. Turn the vehicle ignition ON then OFF three (3) times, then press and hold the valet button for five (5) seconds.
2. The system will beep one (1) time indicating the learned delay has been cleared.

# Quick Reference: System Programming & Diagnostics

## Silent Arm and Disarm

Program the Pursuit system to arm and disarm without notification chirps. (The horn/siren will sound if the system is triggered while armed.)

1. Turn the ignition ON then OFF.
2. Press and release the valet/programming button three (3) times. The system will respond with one (1) chirp for ON or two (2) chirps for OFF.

## User Selectable LED

This feature will control whether the LED is ON or OFF when the system is Armed/Locked. This will be selectable in feature programming OR on-the-fly without entering the programming feature banks.

1. Turn the ignition ON, OFF, ON, OFF.
2. Press and hold valet button for five (5) seconds.

The system will respond with one (1) chirp for ON or two (2) chirps for OFF.

## Troubleshooting Trigger Zones

Test the doors, hood, trunk, and shock sensor to ensure they trigger the security system. Once triggered, the LED flashes to indicate the trigger source:

1	Shock
2	Trunk/Hood
3	Door

## Adjusting the Shock Sensor

1. Arm the system, wait 5-10 seconds, then with an open palm carefully apply impact to areas of the vehicle to test the shock sensor's sensitivity.
2. To adjust, turn the adjustment knob on the shock sensor counter-clockwise for less sensitivity; clockwise for more sensitivity.
3. If the proper sensitivity still cannot be achieved, re-locate the shock sensor.

# Quick Reference: Alarm Override Procedures

## Valet Alarm Override

The Valet Override procedure will disable the alarm when the remote is not available or has become inoperative. If the vehicle door is opened without disarming, the alarm will sound and the vehicle will not start when attempting to start with the key. To disable the alarm:

1. Turn the vehicle ignition to ON.
2. Within five (5) seconds, press and release valet button one (1) time.

The alarm will silence and the vehicle will now start normally with the key.

## Custom Code Override

Unlike the default Valet Override, Custom Code Override is a user personalized code that offers a higher level of security. If the user chooses to use Custom Code Override, Feature Bank 2 ; Feature 9 must be programmed for "Custom Code". Once the option has been selected the code must be programmed. Once the Custom Code is programmed it cannot be changed without first disarming the alarm.

### *Custom Code Override Procedure*

The Custom Code is made up of 2 numbers. Each chosen number must be between digits 1-9. The default Custom Code is "11". To disarm the alarm using the Custom Code option:

1. Turn the vehicle ignition to ON.
2. Within five (5) seconds, Press the valet button one (1) time.
3. Within five (5) seconds, Turn the ignition OFF/ON.
4. Within five (5) seconds, Press the valet button one (1) time.
5. Turn the vehicle ignition to OFF then ON to start the vehicle.

### *Custom Code Programming Procedure*

In this example, the user has selected Custom Code "23". To program a user selected custom code start with the alarm disarmed:

1. Turn the ignition to the ON position
2. Within ten (10) seconds, press the valet button three (3) times to enter programming.
3. Within ten (10) seconds, Cycle the ignition OFF/ON, OFF/ON, OFF/ON. The system will beep one (1) time.
4. Within ten (10) seconds, Press the valet button two (2) times. This number will indicate the first digit of the chosen Custom Code.
5. Within ten (10) seconds, Cycle the ignition OFF/ON.
6. Within ten (10) seconds, Press the valet button three (3) times. This number will indicate the second digit of the chosen Custom Code.
7. Cycle the ignition OFF.

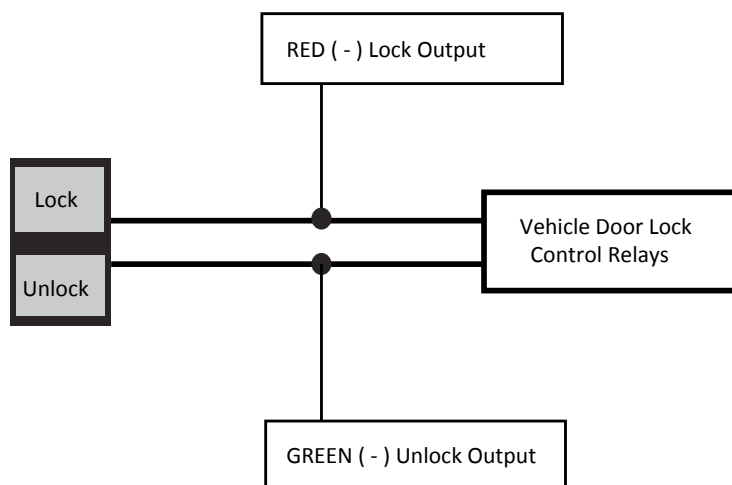
If the Custom Code was accepted the LED will flash the first number (2), pause, then the second number (3). This will repeat two (2) more times to confirm the Custom Code entry. If after 15sec the LED does not flash please repeat steps 1-7.

# Quick Reference: Wiring Diagrams

## Door Lock Connections

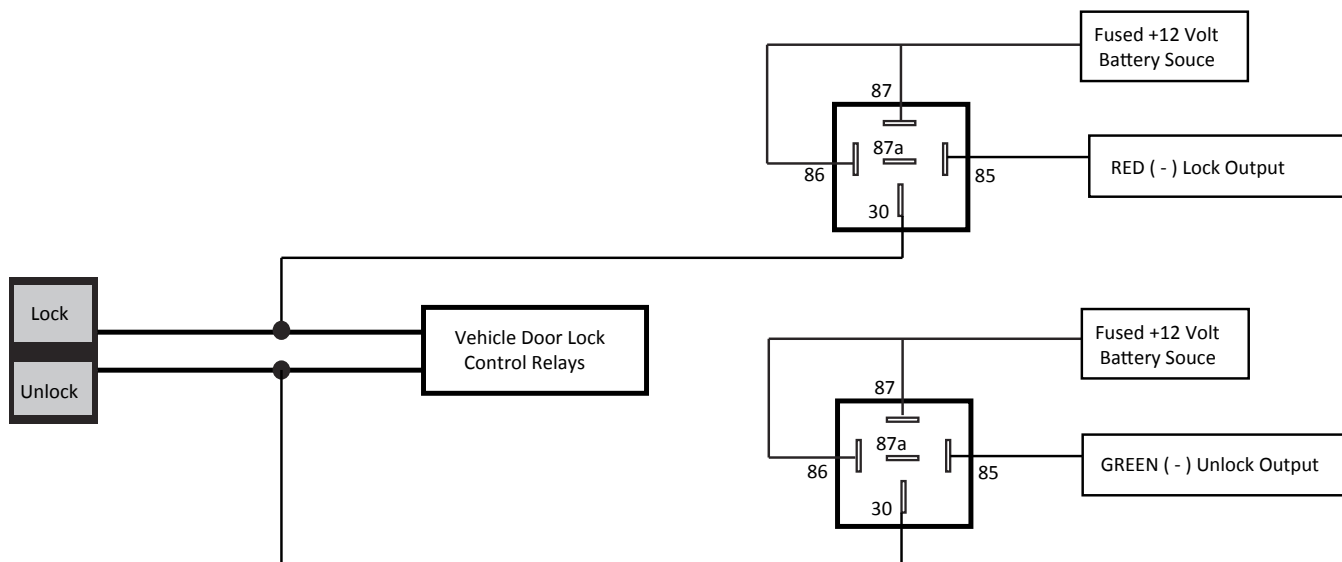
### Negative-Trigger Door Locks

*Verification:* The vehicle wires register Ground when the Lock and Unlock switches are activated.



### Positive-Trigger Door Locks

*Verification:* The vehicle wires register 12V+ when the Lock and Unlock switches are activated.

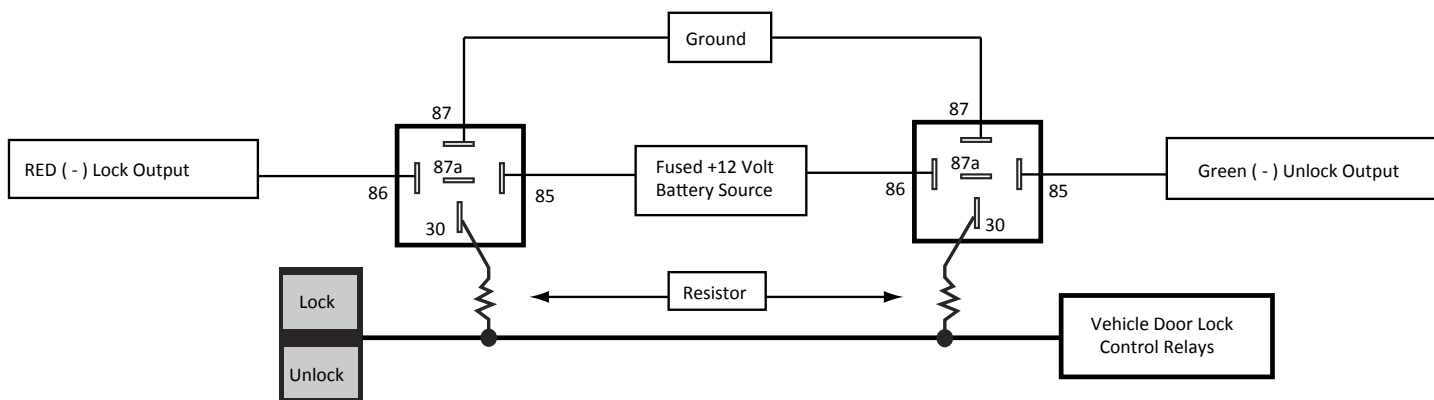


# Quick Reference: Wiring Diagrams

## Door Lock Connections

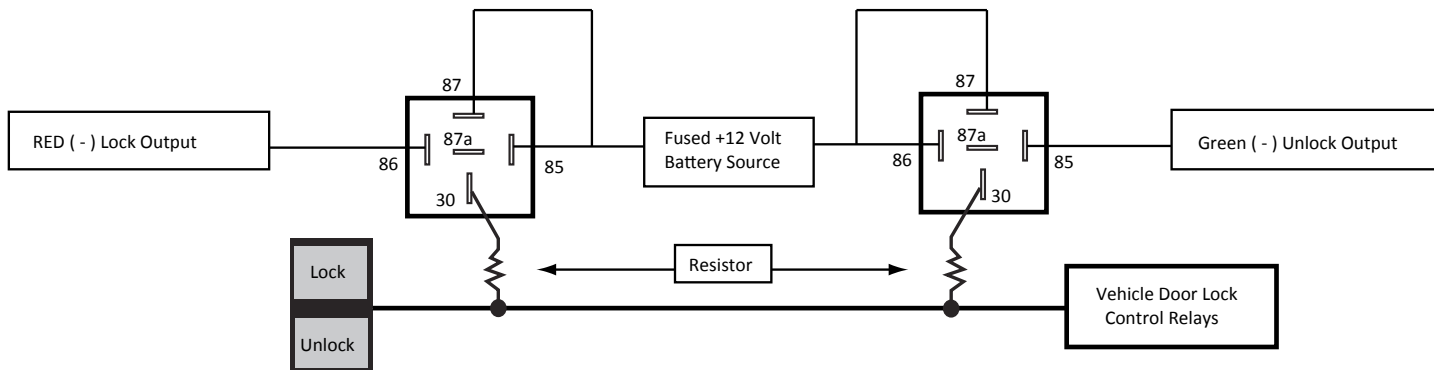
### Single-Wire Negative Multiplex Door Locks (Relays required)

*Verification:* The vehicle wire registers variable Ground values when the Lock and Unlock switches are activated. Please consult the vehicle-specific wire and location chart for resistor values.



### Single-Wire Positive Multiplex Door Locks (Relays required)

*Verification:* The vehicle wire registers variable 12V+ values when the Lock and Unlock switches are activated. Please consult the vehicle-specific wire and location chart for resistor values.



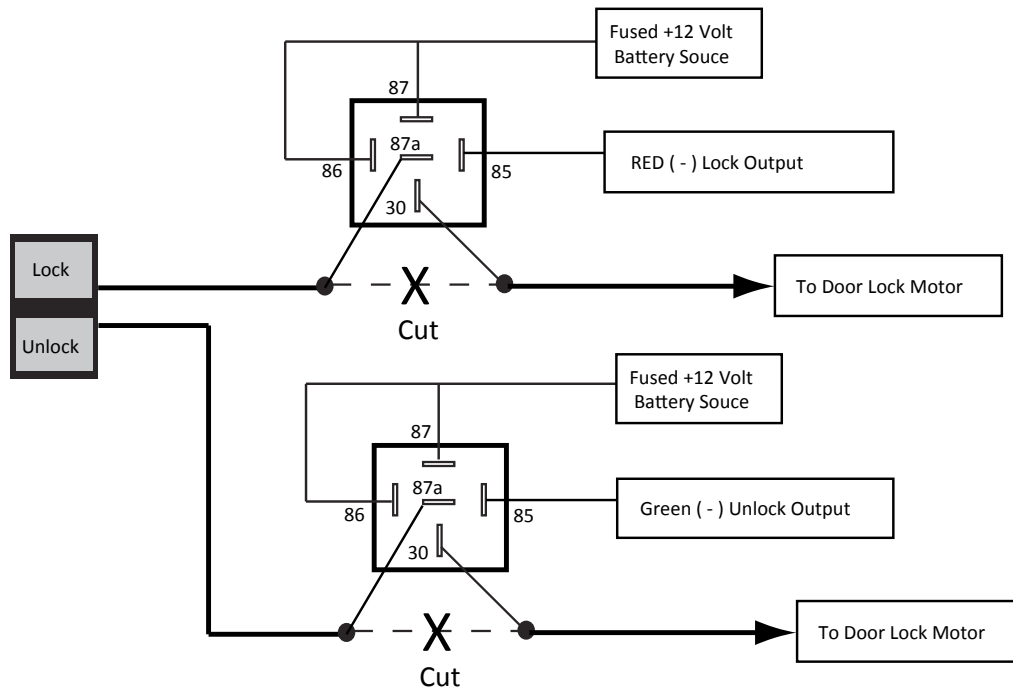


# Quick Reference: Wiring Diagrams

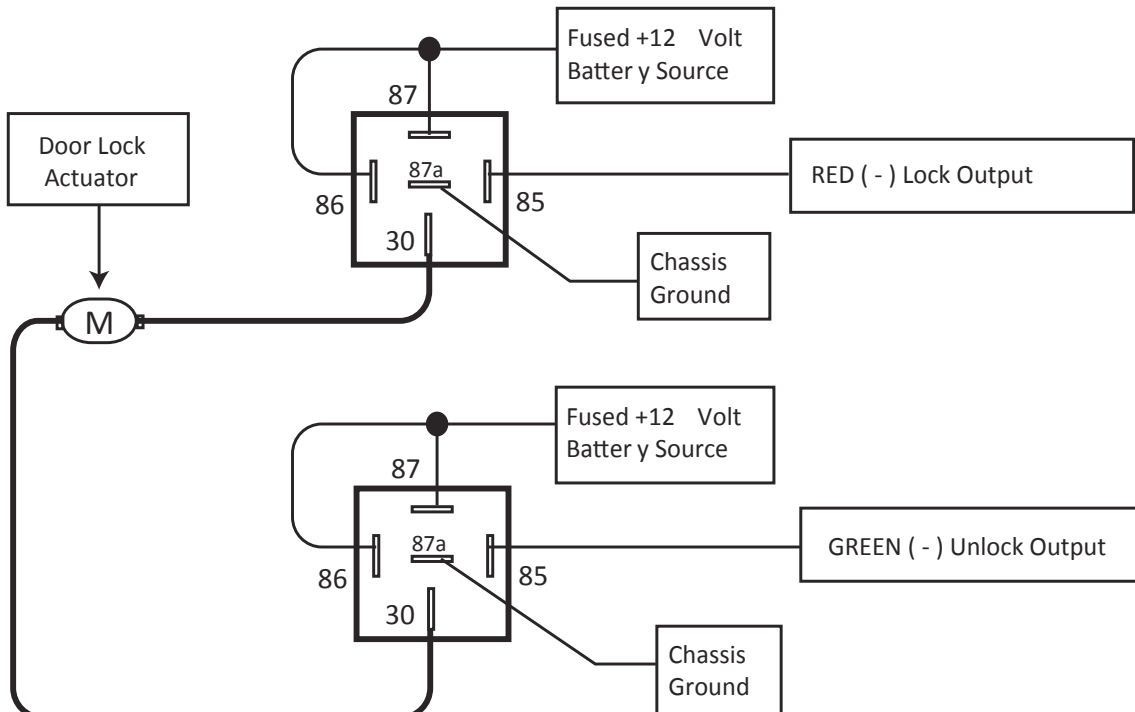
## Door Lock Connections

### Reverse-Polarity Door Locks (Relays required)

*Verification:* The vehicle wires rest at Ground and register 12V+ when the Lock and Unlock switches are activated.



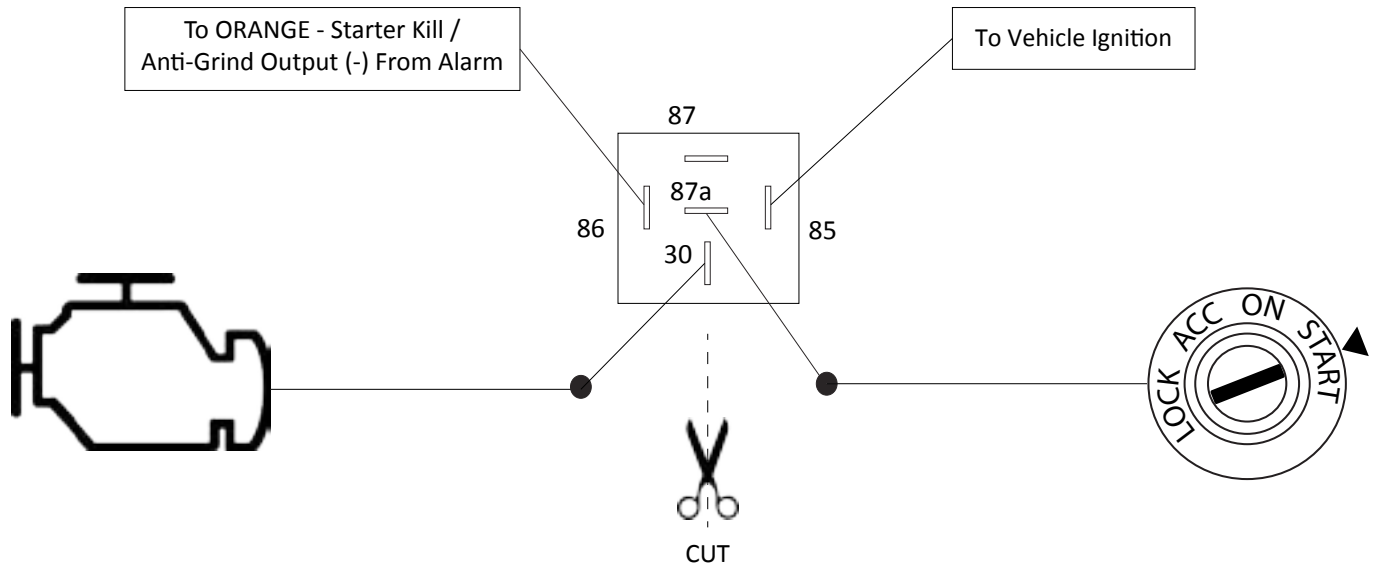
### Aftermarket Actuators (Relays and door lock actuators required)



# Quick Reference: Wiring Diagrams

## Starter Kill / Anti-Grind Relay Connections

Included Starter Kill / Anti-Grind Relay



# Quick Reference: Wiring Diagrams

