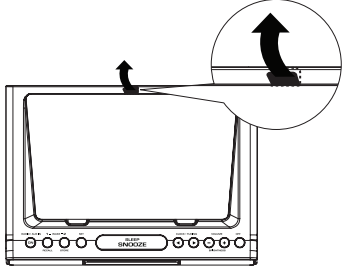
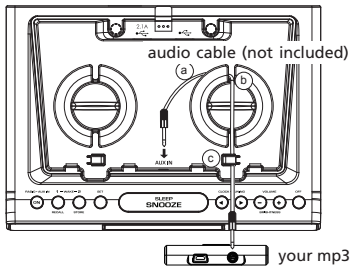


Auxiliary source

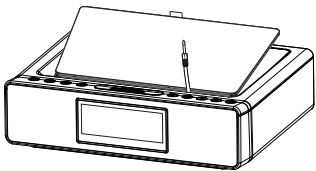
1. Remove the cover from the top panel.



2. Connect your auxiliary source (e.g. mp3 player) to the AUX input jack with an audio cable (not included).



3.
 - a. Wrap the cable around the winder.
 - b. Route it through the openings of the winder.
 - c. Fit the cable into the clip slot so that your auxiliary source can rest on the cover.



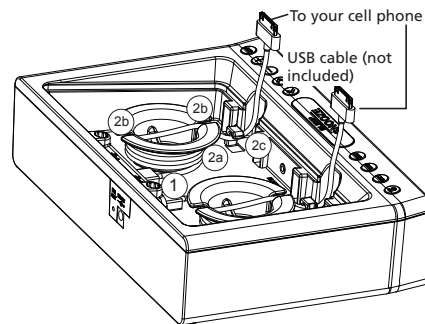
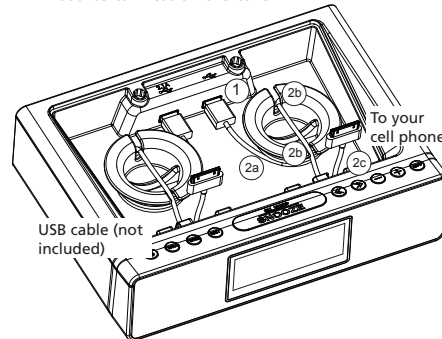
4. Turn on your auxiliary source.
5. In clock mode, press the **RADIO • AUX IN** twice to switch to listen to auxiliary source. The AUX indicator will be displayed. Press the **RADIO • AUX IN** again to switch back to listen to the radio.

Brightness control

With the RADIO or AUX turned OFF, press **BRIGHTNESS** to adjust or turn off the brightness of the display.

USB charging

1. Remove the cover from the top panel. Connect your cell phones, smart phones or even a tablet to the 2.1A USB port to start charging.
2.
 - a. Wrap the cable around the winder.
 - b. Route it through the openings of the winder.
 - c. Fit the cable into the clip slot so that your auxiliary source can rest on the cover.



USB charging

- The 2.1A port is generally used for charging tablets, but this port may also be used for charging mobile phones. However, some tablets may charge more optimally using the other port.
- You may use both charging ports at the same time.
- Charging function may not be supported for all phones or electronic devices.
- Charging function is always enabled as long as the Clock Radio AC power is applied.



Warranty information

12 Month Limited Warranty Applies to RCA Clock Radios

AUDIOVOX ACCESSORIES CORP. (the Company) warrants to the original retail purchaser of this product that should this product or any part thereof, under normal use and conditions, be proven defective in material or workmanship within 12 months from the date of original purchase, such defect(s) will be repaired or replaced with reconditioned product (at the Company's option) without charge for parts and repair labor.

To obtain repair or replacement within the terms of this Warranty, the product is to be delivered with proof of warranty coverage (e.g. dated bill of sale), specification of defect(s), transportation prepaid, to the Company at the address shown below.

This Warranty does not extend to the elimination of externally generated static or noise, to correction of antenna problems, loss/interruptions of broakfast or internet service, to costs incurred for installation, removal or reinstallation of product, to corruptions caused by computer viruses, spyware or other malware, to loss of media, files, data or content, or to damage to tapes, discs, removable memory devices or cards, speakers, accessories, computers, computer peripherals, other media players, home networks or vehicle electrical systems.

This Warranty does not apply to any product or part thereof which, in the opinion of the Company, has suffered or been damaged through alteration, improper installation, mishandling, misuse, neglect, accident, or by removal or defacement of the factory serial number/bar code label(s). THE EXTENT OF THE COMPANY'S LIABILITY UNDER THIS WARRANTY IS LIMITED TO THE REPAIR OR REPLACEMENT PROVIDED ABOVE AND, IN NO EVENT, SHALL THE COMPANY'S LIABILITY EXCEED THE PURCHASE PRICE PAID BY PURCHASER FOR THE PRODUCT.

Warranty information

This Warranty is in lieu of all other express warranties or liabilities. ANY IMPLIED WARRANTIES, INCLUDING ANY IMPLIED WARRANTY OF MERCHANTABILITY, SHALL BE LIMITED TO THE DURATION OF THIS WRITTEN WARRANTY. ANY ACTION FOR BREACH OF ANY WARRANTY HEREUNDER INCLUDING ANY IMPLIED WARRANTY OF MERCHANTABILITY MUST BE BROUGHT WITHIN A PERIOD OF 24 MONTHS FROM DATE OF ORIGINAL PURCHASE. IN NO CASE SHALL THE COMPANY BE LIABLE FOR ANY CONSEQUENTIAL OR INCIDENTAL DAMAGES FOR BREACH OF THIS OR ANY OTHER WARRANTY. No person or representative is authorized to assume for the Company any liability other than expressed herein in connection with the sale of this product.

Some states do not allow limitations on how long an implied warranty lasts or the exclusion or limitation of incidental or consequential damage so the above limitations or exclusions may not apply to you. This Warranty gives you specific legal rights and you may also have other rights which vary from state to state.

Recommendations before returning your product for a warranty claim:

- Properly pack your unit. Include any remotes, memory cards, cables, etc. which were originally provided with the product. However DO NOT return any removable batteries, even if batteries were included with the original purchase. We recommend using the original carton and packing materials. Ship to the address shown below.
- Note that product will be returned with factory default settings. Consumer will be responsible to restore any personal preference settings.

Audiovox Electronics Corp.
Attn: Service Department.
150 Marcus Blvd.
Hauppauge N.Y. 11788

1-800-645-4994

For Canada Customers, please ship to:
 Audiovox Return Centre
 c/o Genco
 6685 Kennedy Road,
 Unit#3, Door 16,
 Mississauga, Ontario
 L5T 3A5