



PORTABLE WIRELESS SPEAKER

MODEL AWSBT8 INSTALLATION AND OPERATION MANUAL

IMPORTANT INFORMATION

CAUTION

RISK OF ELECTRIC SHOCK.
DO NOT OPEN.

Caution: To reduce the risk of electric shock, do not remove cover (or back). No user serviceable parts inside. Refer servicing to qualified service personnel.

Important Safety Instructions

1. Read these instructions.
2. Keep these instructions.
3. Heed all warnings.
4. Follow all instructions.
5. Clean only with dry cloth.
6. Do not block any ventilation openings. Install in accordance with the manufacturer's instructions.
7. Do not install near any heat sources such as radiators, heat registers, stoves, or other apparatus (including amplifiers) that produce heat.
8. Protect the power cord from being walked on or pinched particularly at plugs, convenience receptacles, and the point where they exit from the apparatus.
9. Unplug this apparatus during lightning storms or when unused for long periods of time.
10. Refer all servicing to qualified service personnel. Servicing is required when the apparatus has been damaged in any way, such as power-supply cord or plug is damaged, liquid has been spilled or objects have fallen into the apparatus, the apparatus has been exposed to rain or moisture, does not operate normally, or has been dropped.

For PLUGGABLE EQUIPMENT, the socket-outlet shall be installed near the equipment and shall be easily accessible.

The apparatus shall not be exposed to dripping or splashing or placed near objects filled with liquids.

Care and Maintenance

- Always use a soft cloth to clean the speaker and transmitter. Never use any product containing alcohol or other solvents as they may damage the surface.
- Use caution when plugging the power transformers in an AC outlet to avoid the risk of electric shock.
- If the speaker are used outside on a deck or patio, make sure you take them indoors in the event of a rainstorm to prevent possible damage.
- Do not operate or store the system in extreme temperatures (below 32°F/0°C and above 122°F/50°C).

Product Information

Keep your sales receipt to obtain warranty parts and service and for proof of purchase. Attach it here and record the serial and model numbers in case you need them. These numbers are located on the product.

Model No.: _____

Purchase Date: _____

Dealer/Address/Phone: _____

INTRODUCTION

The Acoustic Research AWSBT8 portable wireless speaker makes it easy to take your music wherever you go and share it whenever you want, with *Bluetooth*® wireless connectivity and a built-in auxiliary input.

This manual covers various connection options and detailed operating instructions for making the Acoustic Research Portable Wireless Speaker a valued part of your lifestyle. If, after having reviewed the instructions, you have any questions, please call toll-free 1-800-732-6866 or visit www.acoustic-research.com.

TOUR OF THE SPEAKER

Front panel

Power and Pairing indicator shows the status of the speaker.

Blue, slow blinking: The speaker is on but not paired or connected (like when you turn the speaker on for the first time).

Blue, fast blinking: The speaker is in *Bluetooth* pairing mode. See the *Bluetooth* Setup section for more information.

Solid blue: The speaker is paired with a *Bluetooth*-enabled device and ready to play audio.

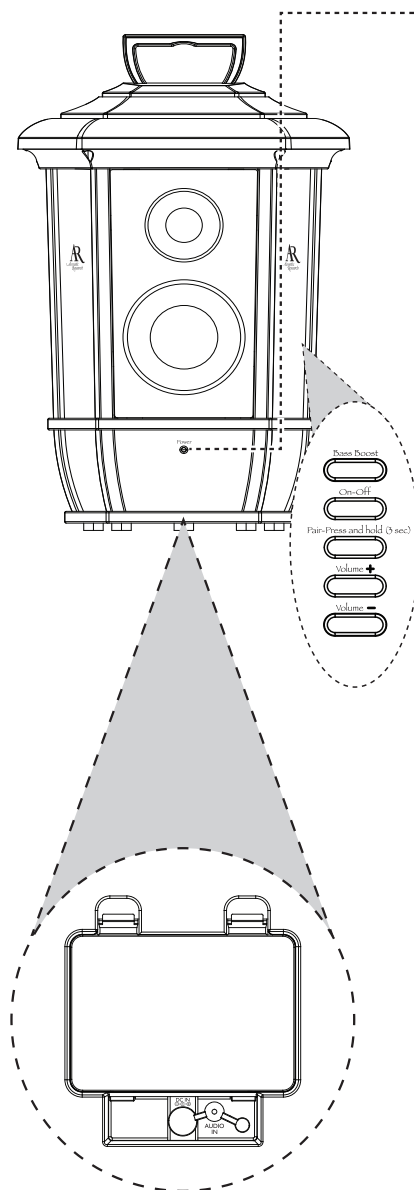
Back panel

Bass Boost button turns the speaker's bass enhancement on and off

On-Off button turns the speaker on and off.

Pair-Press and hold (3 sec) puts the speaker in pairing mode for *Bluetooth* setup (press and hold for 3 seconds). See the *Bluetooth* setup section for more information.

Volume +/- buttons adjust the speaker's volume level.



Bottom panel

Audio Input connects directly to your MP3 player, smartphone, or other portable audio device, using the 3.5mm audio in cable provided.

DC IN receives the small round end of the included 10V 1500mA AC power adapter; remove the protective cover to insert the adapter.

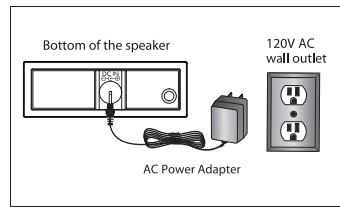
Battery Compartment Cover remove to install 6 AA batteries.

POWERING THE SPEAKER SYSTEM

Powering the Speaker

There are two options to power your wireless speaker: using the included AC power adapter or using 6 AA batteries (not included).

AC Power Adapter



1. Insert the small, round plug from the speaker AC power adapter into the DC IN jack on the bottom panel of the speaker.
2. Plug the other end of the speaker AC power adapter into any standard 120V AC wall outlet.

Notes: Be sure to use the speaker AC power adapter rated 10V DC 1500 mA.

The power unit should be plugged in so that it stays vertical or lies flat.

AA Batteries

1. Remove the battery compartment cover on the bottom of the speaker.
2. Insert six (6) AA batteries (not included) into the speaker following the polarity ("+" and "-") as diagrammed inside the battery compartment.
3. Replace the battery compartment cover on the bottom of the speaker.

Note: Place the rubber cap in the speaker power input jack when using batteries.

DO NOT mix batteries with different chemistry types (for example, a zinc battery with an alkaline battery). **DO NOT** mix new and used batteries. **DO NOT** leave batteries installed in the product when not in use for long periods. Always remove old, weak or worn-out batteries promptly and recycle or dispose of them in accordance with local and national regulations.

SETTING UP BLUETOOTH WIRELESS

Pairing

The *Bluetooth-enabled* device that you wish to stream audio to your speaker system must first be paired to the speaker. The process is simple, and in most cases the pairing process needs to be done only once.

To pair your *Bluetooth-enabled* device with the speaker:

1. Make sure your device's *Bluetooth* is turned on. See the wireless and/or network settings menu on your device to check.
2. If the speaker isn't already on, press the On-Off button to turn it on. You will hear a beep to indicate the speaker is turned on. The indicator light on the front of the speaker starts flashing blue.
3. Press and hold for 3 seconds the Pair button to enter pairing mode. You will hear 2 beeps to indicate pairing mode is entered. The indicator on the front of the speaker starts blinking faster.
4. Open the *Bluetooth* settings menu on your device. Select "AR SPEAKER" from the list of devices available (you might have to scan for devices). If your device asks for a password, enter "0000".
5. A confirmation screen will appear on your device once the speaker and the device are successfully paired. The blue indicator turns solid blue to indicate successful connection. The speaker is now ready for you to stream audio from your device.
6. Turn the volume on your device to at least 3/4 max, then start playing something on the device. Control the speaker volume on the speaker itself, using the Volume +/- buttons on the back of the speaker.

Note:

- If you notice the sound from the speaker is distorted, turn down your device's volume.

SETTING UP BLUETOOTH WIRELESS

Streaming Audio With *Bluetooth*

Once you've paired and connected your device with the speaker, you can control music playback from the palm of your hand. Select your music, stop it, change songs and playlists, all right from your device's screen.

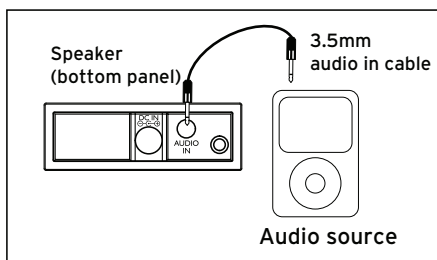
To adjust volume: Press the Volume +/- buttons on back of the speaker.

To disconnect from the speaker: Either turn *Bluetooth* off on your device or choose "Disconnect" from the list of options in your device's *Bluetooth* settings.

To reconnect with the speaker: Just turn the speaker on and wait a few seconds for the speaker to find and connect to your device. If the speaker still hasn't found your device (which may happen if, for instance, another device has been connected after yours) make sure the speaker isn't connected to another device currently. Then select the AR SPEAKER from the list of *Bluetooth* connections available in your device's *Bluetooth* menu to connect to it.

USING THE AUXILIARY AUDIO INPUT

Making a Direct Connection



1. Connect one end of the provided 3.5mm audio in cable to the Audio Input jack on the bottom of the speaker.
2. Connect the other end of the cable to the headphone output on your MP3 player or other portable audio device.
3. If the speaker isn't already on, press the On-Off button to turn it on.

Warning: *This product is designed to work with line level outputs or headphone outputs only. DO NOT connect it directly to speaker outputs as it will permanently damage the speaker.*

TURNING THE SPEAKER OFF

1. Press the On-Off on the back of the speaker to turn the speaker off.
2. Confirm that the speaker is off by verifying that the indicator light on the speaker's front panel is no longer illuminated.

TROUBLESHOOTING

The following troubleshooting guide takes you through some of the more common problems associated with the installation and/or operation of a wireless system. If the problem persists, please call toll-free at 1-800-732-6866 or visit www.acoustic-research.com.

Issue:	Cause and solution:
No sound	<ul style="list-style-type: none">• Check that the AC power adapter is fully inserted into the wall outlet and the power cord from the AC adapter is firmly connected to the speaker's power input jack.• or• If you're using batteries for the speaker, check that they are fresh and inserted with correct polarity (+, -). Make sure the batteries are fresh and replace if necessary.• Confirm that the speaker is turned on.• Check that the audio source component (stereo, MP3 player, etc.) is turned on and transmitting sound as it normally should.• Make sure the volume on your audio source is turned up.• Check that the speaker volume is turned up.• Move the <i>Bluetooth</i> device and the speaker closer together. The <i>Bluetooth</i> wireless technology generally can operate within a range of 35 feet. However results may vary based on other factors such as room layout, wall material, weather conditions, etc.• Make sure you have switched to the speaker's <i>Bluetooth</i> connection when streaming audio with <i>Bluetooth</i>.• Make sure you entered the correct passkey when pairing your device.
Cannot pair the speaker with your <i>Bluetooth</i> device	<ul style="list-style-type: none">• Make sure the <i>Bluetooth</i> capability of your device is turned on and discoverable.• Move the <i>Bluetooth</i> device and the speaker closer together. The <i>Bluetooth</i> wireless technology generally can operate within a range of 35 feet. However results may vary based on other factors such as room layout, wall material, weather conditions, etc.• Make sure your device supports audio transfer.• Turn off all other nearby <i>Bluetooth</i> devices or disable their <i>Bluetooth</i> functionality.

SPECIFICATIONS

Speaker

- *Bluetooth*® wireless technology: *Bluetooth* v2.1 + A2DP profile
- 2-way acoustic design: 10 Watt rated, 3" driver, 2" tweeter
- Audio output power: 7 Watt RMS (Maximum)
- Audio line-in
- Distortion : 1%
- S/N Ratio : 65dB (typical)
- Operation distance : Up to 10 meters (open area)
- Frequency response: 20Hz - 20kHz
- Operates using supplied AC adapter or six (6) AA batteries (not included)

*Maximum range; results may vary according to environment.

FCC Statement

This equipment has been tested and found to comply with the limits for a Class B digital device, pursuant to part 15 of the FCC Rules. These limits are designed to provide reasonable protection against harmful interference in a residential installation. This equipment generates, uses, and can radiate radio frequency energy and, if not installed and used in accordance with the instructions, may cause harmful interference to radio communication. However, there is no guarantee that interference will not occur in a particular installation. If this equipment does cause harmful interference to radio or television reception, which can be determined by turning the equipment off and on, the user is encouraged to try to correct the interference by one or more of the following measures:

- Reorient or relocate the receiving antenna.
- Increase the separation between the equipment and receiver.
- Connect the equipment into an outlet on a circuit different from that to which the receiver is connected.
- Consult the dealer or an experienced radio/TV technician for help.

FCC Regulations state that unauthorized changes or modifications to this equipment may void the user's authority to operate it.

RF Exposure Warning

This equipment must be installed and operated in accordance with provided instructions and the antenna(s) used for this transmitter must be installed to provide a separation distance of at least 20 cm from all persons and must not be co-located or operating in conjunction with any other antenna or transmitter. End-users and installers must be provided with antenna installation instructions and transmitter operating conditions for satisfying RF exposure compliance.

Industry Canada Regulatory Information

This device complies with RSS-210 of the Industry Canada Rules. Operation is subject to the following two conditions: 1) this device may not cause interference and 2) this device must accept any interference, including interference that may cause undesired operation of the device.

Industry Canada Regulatory Information

CAN ICES-3 (B)/NMB-3 (B)

Avis d'Industrie Canada

CAN ICES-3 (B)/NMB-3 (B)

IC Radiation Exposure Statement: This equipment complies with IC radiation exposure limits set forth for an uncontrolled environment.

The *Bluetooth*® word mark and logos are registered trademarks owned by Bluetooth SIG, Inc. and any use of such marks by VOXX Accessories Corporation is under license. Other trademarks and trade names are those of their respective owners.

12 MONTH LIMITED WARRANTY

VOXX Accessories Corporation (the "Company") warrants to the original retail purchaser of this product that should this product or any part thereof, under normal use and conditions, be proven defective in material or workmanship within 12 months from the date of original purchase, such defect(s) will be repaired or replaced (at the Company's option) without charge for parts and repair labor. To obtain repair or replacement within the terms of this Warranty, the product along with any accessories included in the original packaging is to be delivered with proof of warranty coverage (e.g. dated bill of sale), specification of defect(s), transportation prepaid, to the Company at the address shown below. Do not return this product to the Retailer.

This Warranty is not transferable and does not cover product purchased, serviced or used outside the United States or Canada. The warranty does not extend to the elimination of externally generated static or noise, to costs incurred for the installation, removal or reinstallation of the product.

The warranty does not apply to any product or part thereof which, in the opinion of the company, has suffered or been damaged through alteration, improper installation, mishandling, misuse, neglect, accident or exposure to moisture. This warranty does not apply to damage caused by an AC adapter not provided with the product, or by leaving non-rechargeable batteries in the product while plugged into an AC outlet.

THE EXTENT OF THE COMPANY'S LIABILITY UNDER THIS WARRANTY IS LIMITED TO THE REPAIR OR REPLACEMENT PROVIDED ABOVE AND, IN NO EVENT, SHALL THE COMPANY'S LIABILITY EXCEED THE PURCHASE PRICE PAID BY PURCHASER FOR THE PRODUCT.

This Warranty is in lieu of all other express warranties or liabilities. ANY IMPLIED WARRANTIES, INCLUDING ANY IMPLIED WARRANTY OF MERCHANTABILITY OR FITNESS FOR A PARTICULAR PURPOSE, SHALL BE LIMITED TO DURATION OF THIS WARRANTY. ANY ACTION FOR BREACH OF ANY WARRANTY HEREUNDER, INCLUDING ANY IMPLIED WARRANTY, MUST BE BROUGHT WITHIN A PERIOD OF 24 MONTHS FROM THE DATE OF ORIGINAL PURCHASE. IN NO CASE SHALL THE COMPANY BE LIABLE FOR ANY CONSEQUENTIAL OR INCIDENTAL DAMAGES WHATSOEVER. No person or representative is authorized to assume for the Company any liability other than expressed herein in connection with the sale of this product.

Some states/provinces do not allow limitations on how long an implied warranty lasts or the exclusion or limitation of incidental or consequential damage so the above limitations or exclusions may not apply to you. This Warranty gives you specific legal rights and you may also have other rights which vary from state/province to state/province.

U.S.A.: Audiovox Return Center, 150 Marcus Blvd., Hauppauge, New York 11788

CANADA: Audiovox Return Center, c/o Genco, 6685 Kennedy Road, Unit #3 Door 16, Mississauga Ontario L5T 3A5