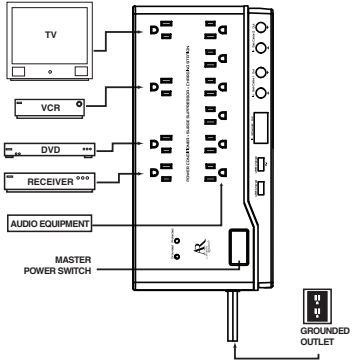




# ARHT10 User's Guide

## Connecting Equipment To Your AR Surge Protector

### Power Connections



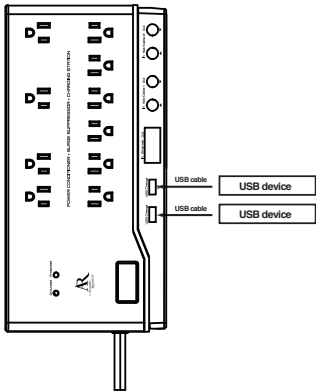
1. Plug the surge protector into a grounded 3-prong outlet only.
2. Plug all connected equipment directly into the surge protector.
3. Press the master power switch to turn on the surge protector.

**CAUTION!**  
**DO NOT** connect to an ungrounded outlet. **DO NOT** use with 2-wire extension cords or adapters. This surge protector is designed for indoor use only. Install the surge protector away from heat emitting appliances such as radiators or heat registers. **DO NOT** install where excessive moisture is present. **DO NOT** plug extension cords into the surge protector. Never install electrical or telephone wiring during a lightning storm. **DO NOT USE FOR MEDICAL OR OTHER LIFE SUPPORT EQUIPMENT OR OTHER HIGH RISK ACTIVITIES. DO NOT USE IN DAMP AREAS OR NEAR WATER RELATED APPLICATIONS SUCH AS AQUARIUMS, HOT TUBS, ETC.**

### Indicator Lights

- The Protected light should be on when the power switch is turned on when the surge protector is plugged into an outlet.
- The Grounded light should be on when the surge protector is plugged into an outlet. If the light does not come on when you turn on the surge protector, you have a ground wiring problem and you should contact an electrician to properly ground the outlet. Connecting your surge protector to an improperly grounded outlet will void all Audiovox warranties.

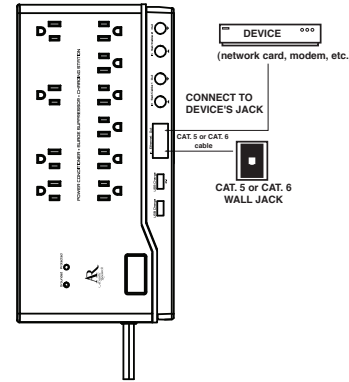
### USB Charging



The 2.1 USB Charge outlet on this charger is optimized for use with certain types of devices such as the iPad®. As a result, the 2.1 USB Charge outlet may not charge all models of all brands of your mobile devices. If any of your devices will not charge using the 2.1 USB Charge outlet on this charger, use the other USB Charge outlet to charge that device.

This surge protector is designed to charge two devices simultaneously. However, if you plug in two devices to charge simultaneously and their combined power requirements exceed the power capacity of this surge protector, this surge protector will shut down to protect your devices. In that case, try charging each device by itself.

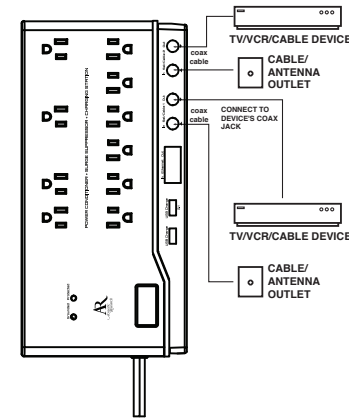
### Ethernet Connections



If you are using an Ethernet network data line, pass the connection through the protected Ethernet jacks on your surge protector. Most network card or modem damage can be prevented if you connect the CAT. 5 or CAT. 6 cable through the surge protector.

1. Connect the CAT. 5 or CAT. 6 cable from your wall outlet to the **INPUT** jack on the surge protector.
2. Connect a CAT. 5 or CAT. 6 cable into the **OUTPUT** jack on the surge protector.
3. Connect the other end of the CAT. 5 or CAT. 6 cable to the jack of the network card or modem you want to protect.

### Sat/Coax Cable Connections



If you are using a coax cable, pass the connection through the protected coax jacks on your surge protector. Most TV/VCR damage can be prevented if you connect the coax cable through the surge protector.

1. Connect the Cable/Antenna line from your source to the **INPUT** jack on the surge protector.
2. Connect the coax cable from the **OUTPUT** jack of the surge protector to the device you want to protect.

## Limited Lifetime Product Warranty

Audiovox Accessories Corporation (the “Company”) warrants to you the original retail purchaser of this product that should it, under normal use and conditions, be proven defective in material or workmanship during its lifetime while you own it, such defect(s) will be repaired or replaced (at the Company’s option) without charge for parts and repair labor. To obtain repair or replacement within the terms of this Warranty, the product is to be delivered with proof of warranty coverage (e.g. dated bill of sale), specification of defect(s), transportation prepaid, to the Company at the address shown below. Do not return this product to the Retailer.

This Warranty does not cover product purchased, serviced or used outside the United States or Canada. This Warranty is not transferable and does not extend to costs incurred for installation, removal or reinstallation of the product. This Warranty does not apply if in the Company’s opinion, the product has been damaged through alteration, improper installation, mishandling, misuse, neglect, or accident.

THE EXTENT OF THE COMPANY’S LIABILITY UNDER THIS WARRANTY IS LIMITED TO THE REPAIR OR REPLACEMENT PROVIDED ABOVE AND, IN NO EVENT, SHALL THE COMPANY’S LIABILITY EXCEED THE PURCHASE PRICE PAID BY PURCHASER FOR THE PRODUCT. This Warranty is in lieu of all other express warranties or liabilities. ANY IMPLIED WARRANTIES, INCLUDING ANY IMPLIED WARRANTY OF MERCHANTABILITY OR FITNESS FOR A PARTICULAR PURPOSE SHALL BE LIMITED TO DURATION OF THIS WARRANTY. IN NO CASE SHALL THE COMPANY BE LIABLE FOR ANY CONSEQUENTIAL OR INCIDENTAL DAMAGES WHATSOEVER. No person or representative is authorized to assume for the Company any liability other than expressed herein in connection with the sale of this product.

Some states/provinces do not allow limitations on how long an implied warranty lasts or the exclusion or limitation of incidental or consequential damage so the above limitations or exclusions may not apply to you. This Warranty gives you specific legal rights and you may also have other rights which vary from state/province to state/province.

U.S.A.: Audiovox Return Center, 150 Marcus Blvd., Hauppauge, New York 11788

CANADA: Audiovox Return Center, c/o Genco, 6685 Kennedy Road, Unit 3, Door 16, Mississauga, Ontario L5T 3A5

## Connected Equipment Guarantee

Your Connected Equipment Guarantee covers the original purchaser for connected equipment damaged by a transient voltage surge/spike (“Occurrence”) while properly connected through this surge protector for a period of five (5) years from the date of purchase (see your package for amounts).

Audiovox Electronics Corporation (“Audiovox”) will repair the damaged equipment or will reimburse an amount equal to the fair market value of the equipment or the original purchase price of the equipment, whichever is less, up to the maximum amount set forth for the Connected Equipment Guarantee for this surge protector.

The fair market value of the equipment shall be the current value of the equipment specified in the most recent edition of the Orion Blue Book by Orion Research Corporation, Roger Rohrs Publisher. The cost, if any, of shipping equipment to and from such repair facility shall be borne solely by the original purchaser.

Audiovox reserves the right to inspect the damaged surge protector and the damaged equipment, and the site where damage occurred. All cost of shipping the damaged surge protector and the damaged equipment shall be borne solely by the original purchaser.

### The Connected Equipment Guarantee is Null and Void If:

- The surge protector and/or the damaged equipment in use during the Occurrence is not provided to Audiovox for inspection upon Audiovox’s request.
- Audiovox determines that the surge protector has been improperly installed, altered in any way, tampered with, and that the damage did not result from the Occurrence or that no Occurrence in fact took place.
- The damaged equipment is covered by a manufacturer’s warranty, service contract, or insurance. The coverage under the Connected Equipment Guarantee is secondary to any applicable warranties, service contracts, and all other insurance.
- Audiovox determines the connected equipment was not used under normal operating conditions or in accordance with labels and instructions. The surge protector must be connected directly to the power source and must not be “daisy-chained” together in serial fashion with other powerstrips, UPS, or other surge protectors or power cords.
- The Occurrence is due to low voltage disturbances (i.e. brown out or sags).
- Audiovox is not permitted to promptly inspect the site where damage occurred.

### Filing a Claim

To receive service under this Guarantee, you must be the original purchaser/user of the product in question. All damage claims must be made within 15 days from the date of the Occurrence and must be accompanied by a receipt for the damaged equipment or the Connected Equipment Guarantee is void.

#### To File a Claim:

1. Contact Audiovox at 1-800-645-4994 (United States) or 1-800-323-4815 (Canada) within 15 days of the Occurrence. Provide the following information:
  - a. Part number of surge protector.
  - b. The equipment that was connected to the surge protector at the time of the Occurrence.
  - c. The equipment that was damaged during the Occurrence and the extent of the damage.
  - d. The date of the Occurrence.
  - e. Where you purchased the surge protector.
  - f. When you purchased the surge protector.
  - g. Copy of the original receipts (for the product and connected equipment).
2. Your Audiovox customer service representative will instruct you on how to forward your equipment and surge protector which were in use during the Occurrence, your receipts, and how to proceed with your claim.

### What the Guarantee Does NOT Cover

- Loss of software, media, stored information, or data of any kind.
- Loss of business profits, business interruption, or downtime.
- Damage associated with sustained over-voltages, vandalism, theft, normal wear and tear, obsolescence, abuse, misuse, non-authorized alteration or catastrophic events.
- Incidental, indirect, special, or consequential damages arising out of the use of this surge protector, including without limitation all freight, mileage, travel time, and insurance charges associated with coverage claims.
- Product purchased, serviced, or used outside the United States or Canada.

If you purchased your product outside the United States or Canada, the Connected Equipment Guarantee does not apply.

## FCC Information

### FCC Information

Note: This equipment has been tested and found to comply with the limits for a Class B digital device, pursuant to Part 15 of FCC Rules. These limits are designed to provide reasonable protection against harmful interference in a residential installation. This equipment generates, uses, and can radiate radio frequency energy and, if not installed and used in accordance with the instructions, may cause harmful interference to radio communications.

However, there is no guarantee that interference will not occur in a particular installation. If this equipment does cause harmful interference to radio or television reception, which can be determined by turning the equipment off and on, the user is encouraged to try to correct the interference by one or more of the following measures:

- Reorient or relocate the receiving antenna.
- Increase the separation between the equipment and receiver.
- Connect the equipment into an outlet on a circuit different from that to which the receiver is connected.

This Class B digital apparatus complies with Canadian ICES-003.

Cet appareil numérique de la classe B est conforme à la norme NMB-003 du Canada.