

RCA

ANT3036W / ANT3036X Outdoor Antenna

User's Guide

BEFORE YOU START!!!

Please read the IMPORTANT SAFETY INFORMATION sheet included in this package.

Step 1: Unpack

Remove all three sections of the antenna and the hardware bag from package. Make sure the following parts are in the package:

- 3 antenna sections
- Hardware bag

U-Bolt

Mast Clamp Insert

(4) 10/32" Hex nuts

Matching

Transformer

(4) Plugs

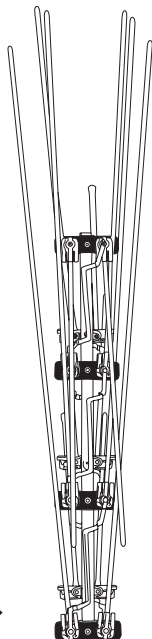
(2) 1/4" Hex Nuts

(8) 7/16" Washers

- 58" mast (ANT3036W only)

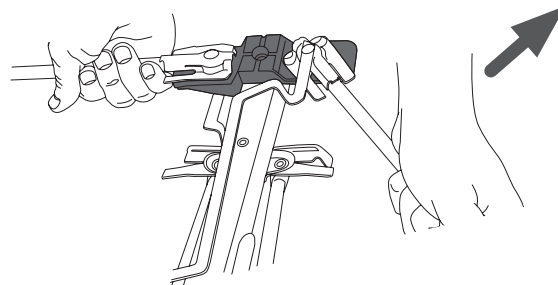
Step 2: Unfold the middle section

Middle
section



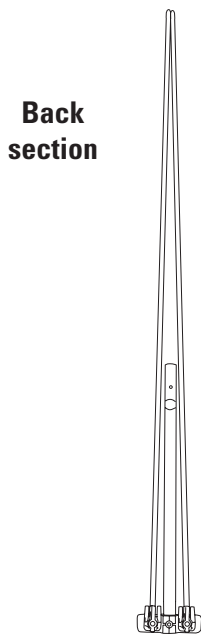
Find the middle section of the antenna (illustrated on the left).

Starting from the rear of the middle section, unfold the long VHF Elements until they lock into place (as illustrated below).



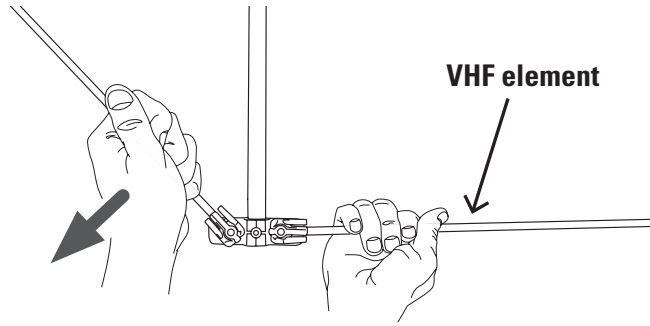
Turn the middle section over and unfold the shorter elements on the other side.

Step 3: Unfold the back section

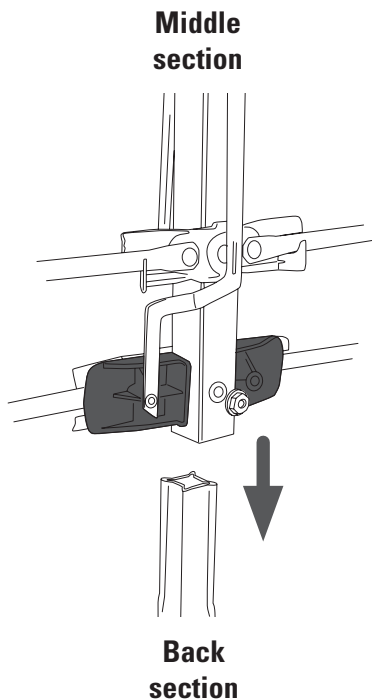


Find the back section (the section with only one set of elements).

Unfold the two VHF elements on the back section.



Step 4: Connect the back section to the middle section



On the middle section (the one you unfolded in step 2), find the word “Back” stamped in blue on the boom. Find the same stamp on the boom of the back section. Line up both booms so that the stamps face you.

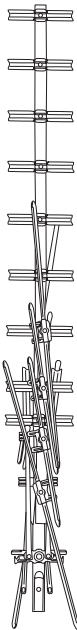
Remove the screw and nut from end of the middle section closest to the back section. Insert the crimped end of the back section into the middle section as illustrated on the left.

NOTE: Make sure the blue-stamped words “Back” on the two sections are lined up.

Once the extension is in place, re-insert the screw and install the nut to secure the two sections together.

Step 5: Unfold the front section

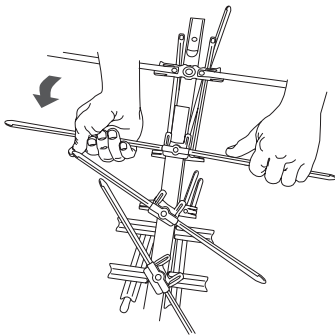
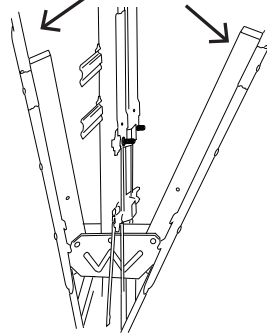
Front
section



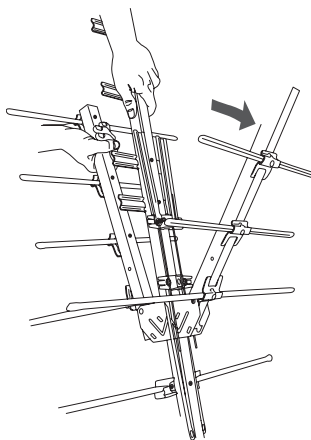
Find the front section of the antenna (illustrated on the left).

On the front section, find the reflector booms (illustrated below).

Reflector
booms



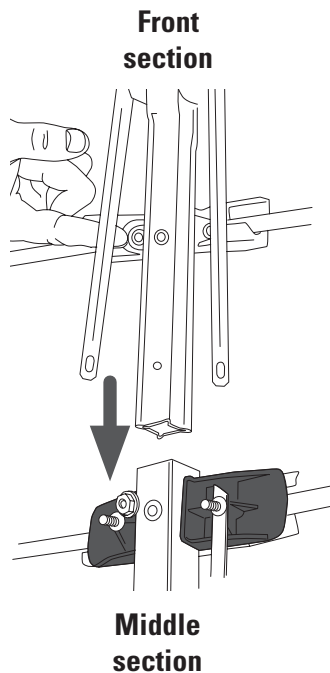
Each reflector boom has four elements. Unfold each slightly. Then, starting with the element closest to the main boom, unfold the element until it locks into place.



Once you've unfolded all of the elements on the reflector booms, extend the reflector booms away from the main boom until they lock into place.

After locking the reflector booms into place, unfold the small UHF elements between the reflector booms.

Step 6: Connect the front section to the middle section



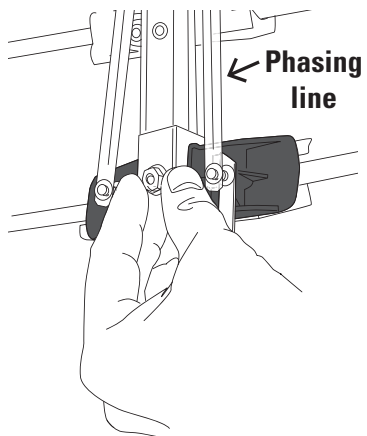
On the front section (the one you unfolded in step 5), find the word “Front” stamped in red on the boom. Find the same stamp on the boom of the middle section. Line up both booms so that the stamps face you.

Remove the screw and nut from end of the middle section closest to the front section. Insert the crimped end of the front section into the middle section as illustrated on the left.

NOTE: Make sure the stamped words “Front” on the two sections are lined up.

Once the front section is in place, re-insert the screw and install the nut to secure the two sections together.

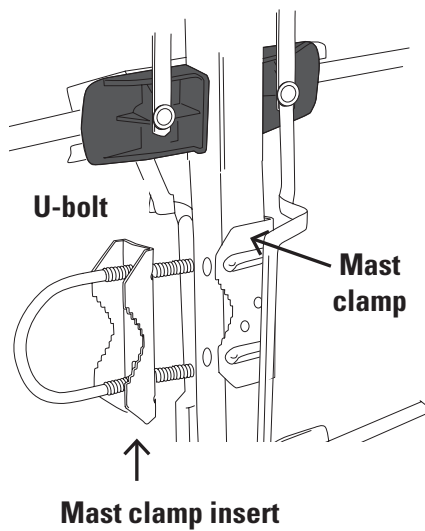
Step 7: Attach the phasing lines



Find the washers and 10/32” hex nuts in the hardware bag.

Place the phasing lines from the front section over the studs on the middle section. Attach the washers and 10/32” hex nuts.

Step 8: Attach the mast clamp insert

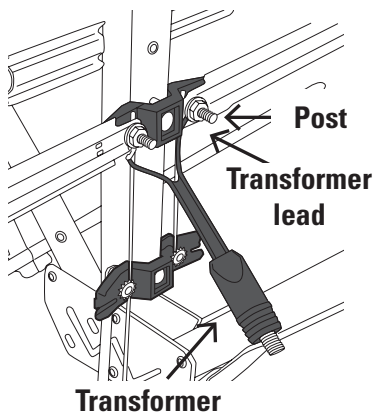


Find the U-bolt and mast clamp insert (see the illustration to the left). Put the U-bolt into the mast clamp insert with the teeth of the mast clamp insert facing the closed end of the U-bolt.

Insert the U-bolt into the mast clamp on the antenna and loosely thread the 1/4" hex nuts onto the U-bolt. The teeth on the mast clamp and the teeth on the insert should be facing the same direction.

Do not tighten the hex nuts yet.

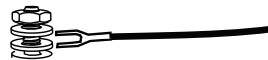
Step 9: Install the transformer



Find the 10/32" hex nuts and washers in your hardware bag.

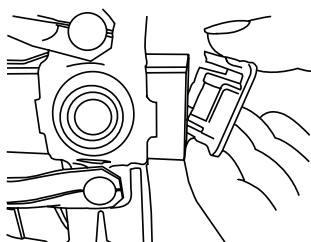
Find the small elements between the reflector booms. These elements have posts at their bases.

Place two washers on each post. Then position the transformer leads between the two washers as shown here.



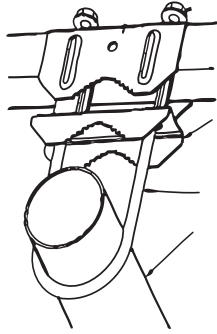
Finally, tighten the hex nuts to secure the leads.

Step 10: Insert end caps



Insert the plastic end caps in the ends of the booms as shown here. Use a rubber mallet to gently tap them into the antenna booms to secure them.

Step 11: Attach the antenna to the mast



IMPORTANT: Before you attach the antenna to your mast, visit www.antennaweb.org to see the locations of your local broadcast towers. This information is crucial in pointing your antenna correctly.

Loosen the nuts on the mounting clamp U-bolt as needed. Then slide the U-bolt over the mast.

Point small end of antenna toward your local broadcast towers. Tighten the mast clamp and nuts securely.

Step 12: Connect the coax cable

Once the antenna is secured to the mast, connect the 75 ohm coaxial cable to the matching transformer. The connection should be finger tight. The coaxial down-lead may be secured to the mast by either taping it or use of plastic wire ties.

12 Month Limited Warranty

Audiovox Electronics Corporation (the "Company") warrants to the original retail purchaser of this product that should this product or any part thereof, under normal use and conditions, be proven defective in material or workmanship within 12 months from the date of original purchase, such defect(s) will be repaired or replaced (at the Company's option) without charge for parts and repair labor. To obtain repair or replacement within the terms of this Warranty, the product along with any accessories included in the original packaging is to be delivered with proof of warranty coverage (e.g. dated bill of sale), specification of defect(s), transportation prepaid, to the Company at the address shown below. Do not return this product to the Retailer.

This Warranty is not transferable and does not cover product purchased, serviced or used outside the United States or Canada. The warranty does not extend to the elimination of externally generated static or noise. This Warranty does not apply to costs incurred for installation, removal or reinstallation of the product, or, if in the Company's opinion, the product has been damaged through acts of nature, alteration, improper installation, mishandling, misuse, neglect, or accident. This warranty does not cover damage caused by an AC adapter not provided with the product. **THE EXTENT OF THE COMPANY'S LIABILITY UNDER THIS WARRANTY IS LIMITED TO THE REPAIR OR REPLACEMENT PROVIDED ABOVE AND, IN NO EVENT, SHALL THE COMPANY'S LIABILITY EXCEED THE PURCHASE PRICE PAID BY PURCHASER FOR THE PRODUCT.** This Warranty is in lieu of all other express warranties or liabilities. **ANY IMPLIED WARRANTIES, INCLUDING ANY IMPLIED WARRANTY OF MERCHANTABILITY OR FITNESS FOR A PARTICULAR PURPOSE, SHALL BE LIMITED TO DURATION OF THIS WARRANTY. ANY ACTION FOR BREACH OF ANY WARRANTY HEREUNDER, INCLUDING ANY IMPLIED WARRANTY, MUST BE BROUGHT WITHIN A PERIOD OF 24 MONTHS FROM THE DATE OF ORIGINAL PURCHASE. IN NO CASE SHALL THE COMPANY BE LIABLE FOR ANY CONSEQUENTIAL OR INCIDENTAL DAMAGES WHATSOEVER.** No person or representative is authorized to assume for the Company any liability other than expressed herein in connection with the sale of this product.

Some states/provinces do not allow limitations on how long an implied warranty lasts or the exclusion or limitation of incidental or consequential damage so the above limitations or exclusions may not apply to you. This Warranty gives you specific legal rights and you may also have other rights which vary from state/province to state/province.

U.S.A.: Audiovox Electronics Corporation, 150 Marcus Blvd., Hauppauge, NY 11788

CANADA: Audiovox Return Center, c/o Genco, 6685 Kennedy Road, Unit #3 Door 16, Mississauga Ontario L5T 3A5