



ANT1750F

Multi-Directional Slim Digital Antenna / Antena multidireccional plana para interiores / Antenne numérique mince multidirectionnelle

User's Guide / Guía del Usuario / Guide de l'utilisateur

FCC Statement

This device complies with part 15 of the FCC Rules. Operation is subject to the following two conditions: (1) This device may not cause harmful interference, and (2) this device must accept any interference received, including interference that may cause undesired operation.

This equipment has been tested and found to comply with the limits for a Class B Digital Device, pursuant to Part 15 of the FCC Rules. These limits are designed to this equipment generates, uses, and can radiate radio frequency energy and, if not installed and used in accordance with the instructions, may cause harmful interference to radio communications. However, there is no guarantee that interference will not occur in a particular installation. If this equipment does cause harmful interference to radio or television reception, which can be determined by turning the radio or television off and on, the user is encouraged to try to correct interference by one or more of the following measures:

- Reorient or relocate the receiving antenna.
- Increase the separation between the equipment and receiver.
- Connect the equipment into an outlet on another circuit.
- Consult the dealer or an experienced radio/TV technician for help.

Caution: Any changes or modifications not expressly approved by the party responsible for compliance could void the user's authority to operate this equipment.

Industry Canada Regulatory Information

CAN ICES-3 (B)/NMB-3 (B)

Avis d'Industrie Canada

CAN ICES-3 (B)/NMB-3 (B)

Congratulations on your purchase of the ANT1750F Multi-Directional Slim Digital Antenna. With this contemporary antenna, rabbit ears are a thing of the past. This sleek, attractive antenna features the most advanced technology, including a patented engineering design that provides excellent reception for both analog and digital TV broadcasts.

Multi-Directional Antennas

A multi-directional antenna is able to receive signals from any direction. Useful for both analog and digital reception, the ANT1750F looks great, facilitates optimal reception, and requires very little space. The patented multi-directional technology ensures that the antenna does not need to be adjusted according to the location of the transmitting signal.

ANT1750F Features

The ANT1750F Multi-Directional Slim Digital Antenna is packed with features that make it as functional as it is attractive. Because the ANT1750F is multi-directional, there is no need to constantly turn the antenna to improve reception. And, with its compact footprint, the ANT1750F is so unobtrusive, you can hang it on the wall, stand it up or lay it flat. Its attractive design complements any décor. The ANT1750F:

- Features a removable amplifier to optimize reception of local standard definition and high definition signals
- Outperforms traditional antennas due to patented design
- Eliminates constant adjustments with multi-directional reception pattern
- Gets great reception in any position—lying flat, hanging, or standing
- Takes up minimal space
- Features a modern, contemporary look

ANT1750F Hardware

Before attempting to use your antenna, please remove all parts from the box and read the instructions carefully. The ANT1750F antenna package includes the following items:

- 1 ANT1750F Multi-Directional Slim Digital Antenna with Built-In 6' Coaxial Cable
- 1 Amplifier Insert with Built-In Coaxial Cable
- Removable Foot Stand

Setting Up the ANT1750F

Find the best location for the antenna

Before you connect the antenna, determine the best spot in your home for optimum reception. Visit www.antennaweb.org to see where your local broadcasts are coming from. Then, try as much as possible to avoid obstructions between these transmitters and your antenna.

Because of its multi-directional capabilities, the ANT1750F receives UHF, VHF, and local high-definition broadcasts, providing quality reception from most locations.

Note: The ANT1750F may work well sitting on your TV or other components. However, because electronic components can sometimes interfere with the antenna's reception, you might notice an effect on the antenna's performance. Likewise, placing the antenna on

a metal surface may interfere with reception. If the antenna isn't performing as well as expected, try moving it away from the component or placing it on another surface. Then, re-scan for channels on your TV or converter box.

Positioning the Antenna

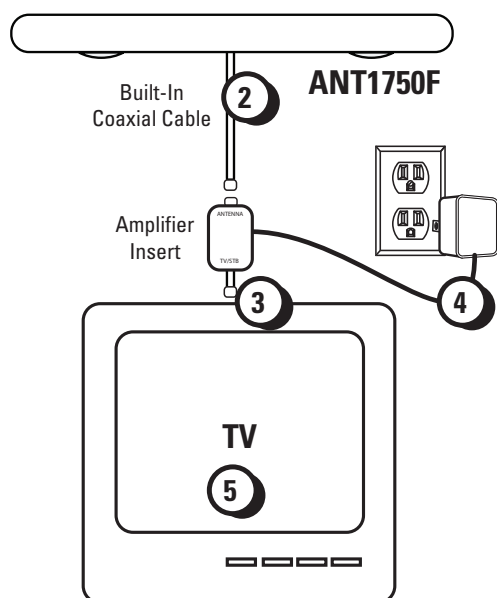
After locating the optimal position for your antenna, choose from one of three options:

- **Lay the ANT1750F flat** The ANT1750F has raised feet on its bottom to prevent scratching of furniture. Make sure you place the antenna on a flat, level surface.
Note: This is the position that usually gives optimal performance.
- **Hang the ANT1750F** The back of the ANT1750F antenna has two mounting holes that can be used for hanging. Place both holes over screws inserted in your wall. A higher placement may deliver better performance.
- **Stand the ANT1750F upright** The ANT1750F comes with a removable stand. Simply place the antenna in the stand to prop the antenna in an upright position.

Connecting the ANT1750F

You can use the ANT1750F with or without its amplifier, depending on which connection gives you the best signal. Try using the amplifier first. If you notice that you've lost channels that you normally receive, try connecting without the amplifier.

You can connect the ANT1750F directly to your TV or use it with a converter box.

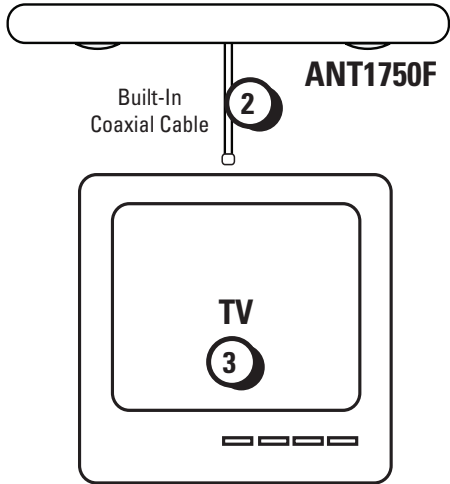


To connect the ANT1750F with the amplifier directly to your TV:

1. Make sure your TV is turned off.
2. Connect the ANT1750F's built-in cable to the input jack of the amplifier.
3. Connect the amplifier's built-in cable to the antenna input on your TV.
4. Plug the amplifier's power cord into an electrical outlet.

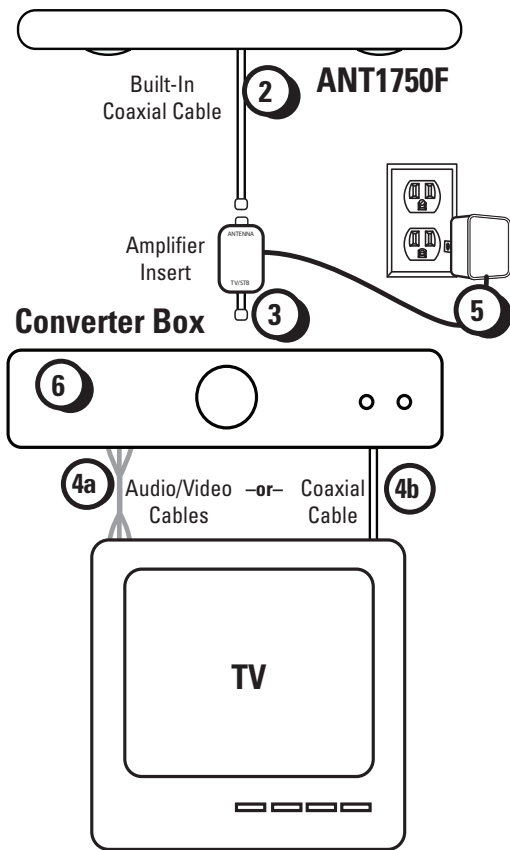
Important: This power unit should be plugged in so that it stays vertical or lies flat.

5. Re-scan for channels on your TV.



To connect the ANT1750F without the amplifier directly to your TV:

1. Make sure your TV is turned off.
2. Connect the ANT1750F's built-in coaxial cable to the antenna input on your TV.
3. Re-scan for channels on your TV.



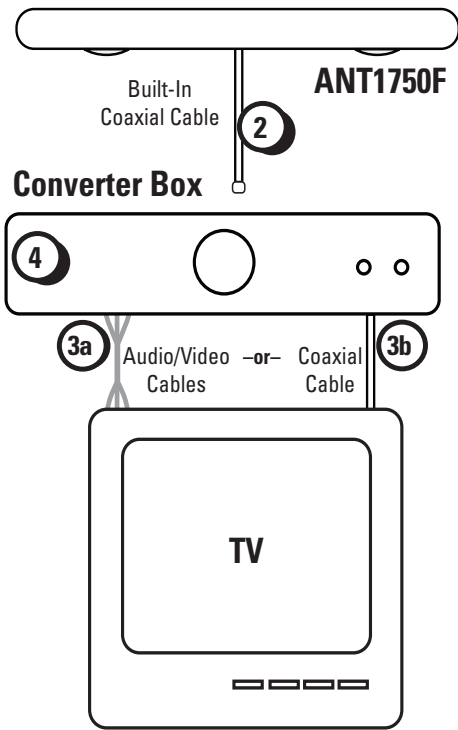
To connect the ANT1750F with the amplifier to a converter box:

1. Make sure your converter box is turned off.
2. Connect the ANT1750F's built-in cable to the input jack of the amplifier.
3. Connect the amplifier's cable to the antenna input on the converter box.
4. Connect the converter box to your TV using either audio/video cables or a coaxial cable:

a. Audio/Video cable connection:

Connect the video (yellow) and stereo audio (red and white) cables to the video and audio outputs on your converter box. Connect the other ends to the video and audio inputs on your TV. Make sure you match the colors of the jacks on each—yellow plug to yellow jack, red plug to red jack, and white plug to white jack.

- b. Coaxial cable connection:** Connect a coaxial cable to the antenna output on your converter box. Connect the other end of the coaxial cable to the antenna input on your TV.



5. Plug the amplifier's power cord into an electrical outlet.
Important: This power unit should be plugged in so that it stays vertical or lies flat.
6. Re-scan for channels on your converter box.

To connect the ANT1750F without the amplifier to a converter box:

1. Make sure your TV is turned off.
2. Connect the ANT1750F's built-in coaxial cable to the antenna input on your converter box.
3. Connect the converter box to your TV using either audio/video cables or a coaxial cable:
 - a. **Audio/Video cable connection:** Connect the video (yellow) and stereo audio (red and white) cables to the video and audio outputs on your converter box. Connect the other ends to the video and audio inputs on your TV. Make sure you match the colors of the jacks on each—yellow plug to yellow jack, red plug to red jack, and white plug to white jack.
 - b. **Coaxial cable connection:** Connect a coaxial cable to the antenna output on your converter box. Connect the other end of the coaxial cable to the antenna input on your TV.
4. Re-scan for channels on your converter box.

Notes: See your converter box's owner's manual for more detailed connection instructions.

Coaxial Cable Installation Precautions

- Do not bend coaxial cables into less than a three-inch radius. Tighter bends can cause shorts and can change a cable's impedance.
- Do not install a coaxial cable where it will have a pulling tension greater than 15 pounds during installation. After installation, make sure there is no tension on the cable.
- Use only round-headed staples. Any clamps or securing devices used with coax should grip the cable evenly about the circumference without crushing the cable. Flat staples can damage the coaxial cable.
- Do not expose a coaxial cable to a temperature greater than 176 degrees Fahrenheit. Keep the cable away from heating vents and water heaters.

12 Month Limited Warranty

VOXX Accessories Corporation (the "Company") warrants to the original retail purchaser of this product that should this product or any part thereof, under normal use and conditions, be proven defective in material or workmanship within 12 months from the date of original purchase, such defect(s) will be repaired or replaced (at the Company's option) without charge for parts and repair labor. To obtain repair or replacement within the terms of this Warranty, the product along with any accessories included in the original packaging is to be delivered with proof of warranty coverage (e.g. dated bill of sale), specification of defect(s), transportation prepaid, to the Company at the address shown below. Do not return this product to the Retailer.

This Warranty is not transferable and does not cover product purchased, serviced or used outside the United States or Canada. The Warranty does not extend to the elimination of externally generated static or noise. This Warranty does not apply to costs incurred for installation, removal or reinstallation of the product, or, if in the Company's opinion, the product has been damaged through acts of nature, alteration, improper installation, mishandling, misuse, neglect, or accident. This Warranty does not cover damage caused by an AC adapter not provided with the product.

THE EXTENT OF THE COMPANY'S LIABILITY UNDER THIS WARRANTY IS LIMITED TO THE REPAIR OR REPLACEMENT PROVIDED ABOVE AND, IN NO EVENT, SHALL THE COMPANY'S LIABILITY EXCEED THE PURCHASE PRICE PAID BY PURCHASER FOR THE PRODUCT.

This Warranty is in lieu of all other express warranties or liabilities. ANY IMPLIED WARRANTIES, INCLUDING ANY IMPLIED WARRANTY OF MERCHANTABILITY OR FITNESS FOR A PARTICULAR PURPOSE, SHALL BE LIMITED TO DURATION OF THIS WARRANTY. ANY ACTION FOR BREACH OF ANY WARRANTY HEREUNDER, INCLUDING ANY IMPLIED WARRANTY, MUST BE BROUGHT WITHIN A PERIOD OF 24 MONTHS FROM THE DATE OF ORIGINAL PURCHASE. IN NO CASE SHALL THE COMPANY BE LIABLE FOR ANY CONSEQUENTIAL OR INCIDENTAL DAMAGES WHATSOEVER. No person or representative is authorized to assume for the Company any liability other than expressed herein in connection with the sale of this product.

Some states/provinces do not allow limitations on how long an implied warranty lasts or the exclusion or limitation of incidental or consequential damage so the above limitations or exclusions may not apply to you. This Warranty gives you specific legal rights and you may also have other rights which vary from state/province to state/province.

U.S.A.: Audiovox Return Center, 150 Marcus Blvd., Hauppauge, New York 11788

CANADA: Audiovox Return Center, c/o Genco, 6685 Kennedy Road, Unit 3, Door 16, Mississauga, Ontario L5T 3A5